

camera system

standard resolution and Full-HD

setup display (4,3")
battery pack or
shielded power supply
(standard 230V, 110V
available too)
for wall mount application

dAV- camera SD, HD,
mini-HD or μ

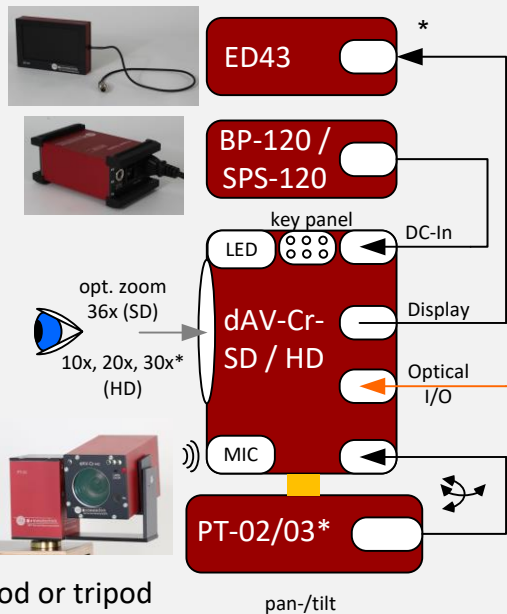
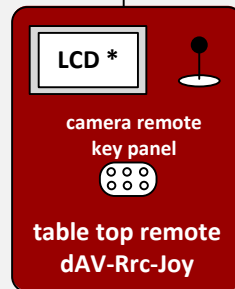
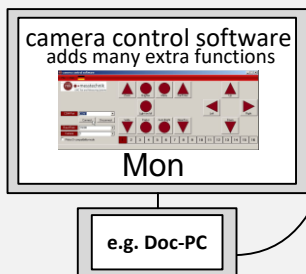
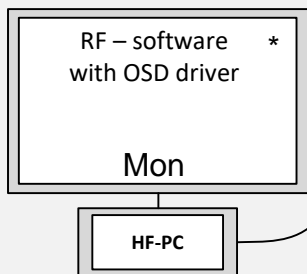
pan-/tilt unit*
(optional)

PT-02: wall / ceiling mount
PT-03: mobile use on monopod or tripod

wall mount WCM40
optional TRX
platform

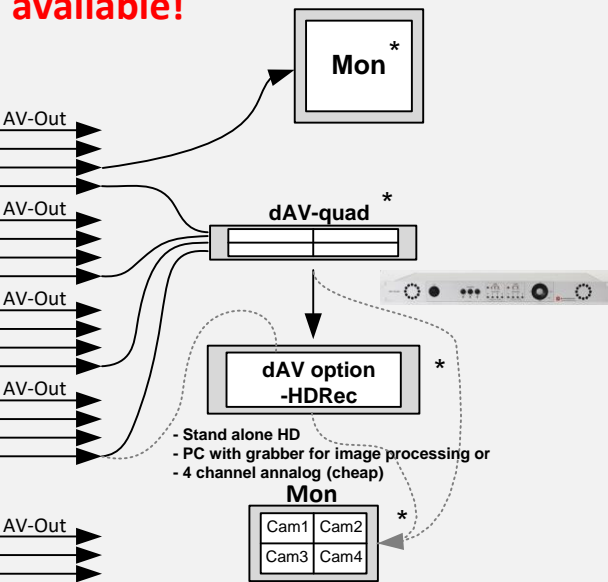
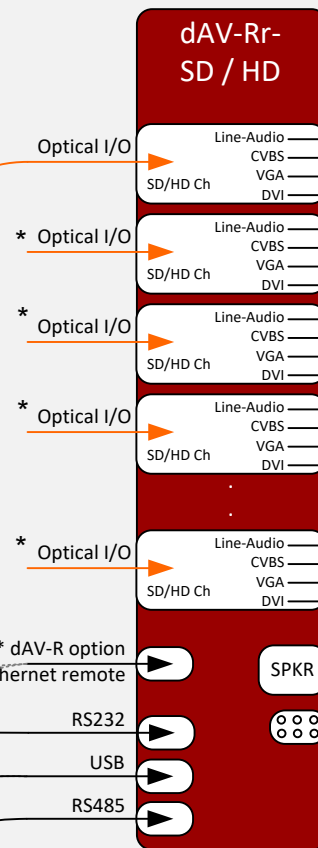


mk monopod
optional ball casters



video, audio
and remote
over one
fiber

**NEW: 3GSDI-Out
available!**



dAV-Rr (receiver)
1-4 channels (table top) dAV-Rr-xD-Ch
1-8 channels (19") dAV-Rr-xD-Ch
1-20 channels (receiver switch matrix)



*: option; please ask for details
There are many more options to customize
the setup. Please ask for details
status:10/11/2016
- Motion Detection Software with recording
- Water resistant camera and pan/tilt for OATS