



AMP2088 SOLID STATE HIGH POWER AMPLIFIER

FEATURES

- Rack mounted system
- Class AB linear LDMOS design
- Instantaneous wide bandwidth
- Suitable for all modulations standards
- Built-in protection circuits
- High reliability and ruggedness



ELECTRICAL SPECIFICATIONS

Parameter	Specification	Notes
Operating Frequency Range	500 - 1000 MHz	
Power Output @ P1dB GCP	500 Watt Min	CW
Power Gain	57 dB Min	
Power Gain Flatness	3 dB p-p Max	Constant input power
Input Return Loss	10 dB Min	Relative to 50 Ohm
2-Tone Intermodulation (IMD)	>30 dBc Typ	47dBm/Tone, $\Delta = 1\text{MHz}$
Harmonics	>20 dBc Typ	At rated output
Spurious	60 dBc Min	Non Harmonics
Operating Voltage	100 - 240 VAC	
Power Consumption	2500 Watt Max	At rated Pout
Max Input Power	+8 dBm	Without damage
Load VSWR Protection	$\infty : 1$	

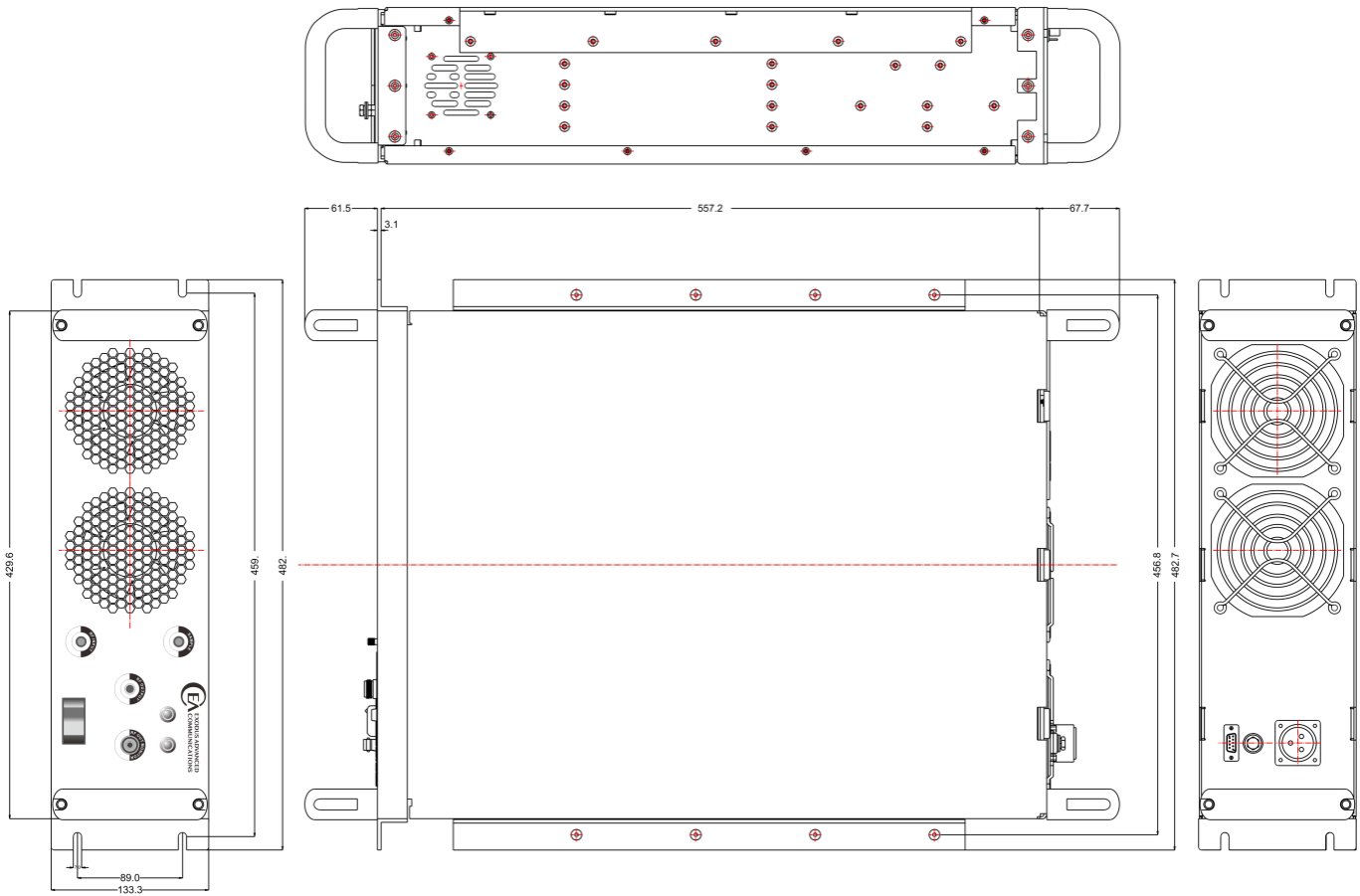
ENVIRONMENTAL CHARACTERISTICS

Parameter	Specification	Notes
Operating Ambient Temperature	0 to +50 °C	
Storage Temperature	-40 to +85 °C	
Relative Humidity	5 to 95 %	Non Condensation

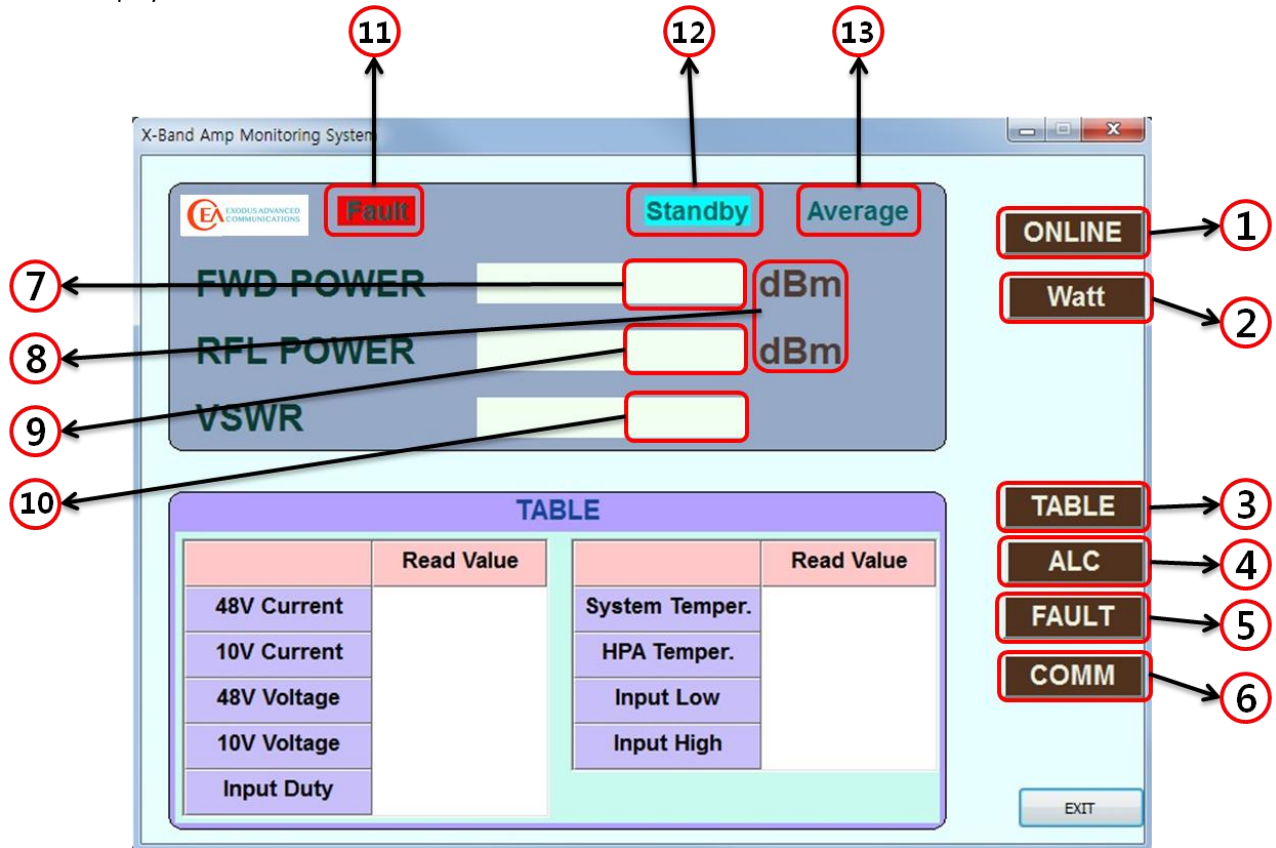
MECHANICAL SPECIFICATIONS

Parameter	Specification	Notes
Dimensions W x H x D	430 x 133.3 x 560 mm	3U
Weight	25 Kg. Max	
RF Connectors In/Out	Type-N Female	Front Panel Standard
AC Power	IEC 60320-C14 / 9-Pin D-Sub	Or equivalent
Cooling	Built in Fan Cooling	Variable speed
OPTIONAL: Digital Monitor & Control FWD, REV, VSWR, GAIN, ALC, V & I, TEMP	Ethernet RJ-45 TCP/IP, RS422/485, Optional GPIB Interface	Remote Bluetooth application

OUTLINE DRAWING



Basic UI Display Interface



- 1) ONLINE/STANDYBY: HPA ON/OFF.
- 2) Watt/dBm: OUTPUT POWER UNIT.
- 3) TABLE: HPA State Table.
- 4) ALC: Auto Level Control.
- 5) FAULT: Display alarm messages.
- 6) COMM: Set the communication method.
- 7) Display Forward Output Power dBm or W.
- 8) Output Power Unit dBm or W.
- 9) Display Reflected Output Power dBm or W.
- 10) Display VSWR Value.
- 11) Display Fault or Clear State.
- 12) Display Standby or Online State.
- 13) Display Output Power Average or Peak.