



# AMP2013 SOLID STATE HIGH POWER AMPLIFIER

## FEATURES

Class AB linear LDMOS design  
 Instantaneous wide bandwidth  
 Rack mounted system  
 Designed for broadband EMI/RFI, Lab, Comm. and EW applications  
 Suitable for CW, pulse and all single channel modulation standards  
 Built-in protection circuits  
 High reliability and ruggedness



## ELECTRICAL SPECIFICATIONS: 50Ω, 25°C

Parameter	Specification	Notes
Operating Frequency Range	20 - 500 MHz	
Power Output @ P1dB GCP	600 Watt Min / 700W Typ	CW
Power Gain	58 dB Min	
Power Gain Flatness	3 dB p-p Max	Constant input power
Input Return Loss	-10 dB Max	Relative to 50 Ohm
2-Tone Intermodulation (IMD)	-30 dBc Typ	48dBm/Tone, Δ = 1MHz
Harmonics	-20 dBc Typ	At rated output
Spurious	-60 dBc Max	Non-harmonics
Operating Voltage	100 - 240 VAC	
Power Consumption	1800 Watt Max	At rated output
Input Power Protection	+8 dBm Max	<10 Sec without damage
Load VSWR Protection	5 : 1 Max	<1 minute at rated Pout

## ENVIRONMENTAL CHARACTERISTICS

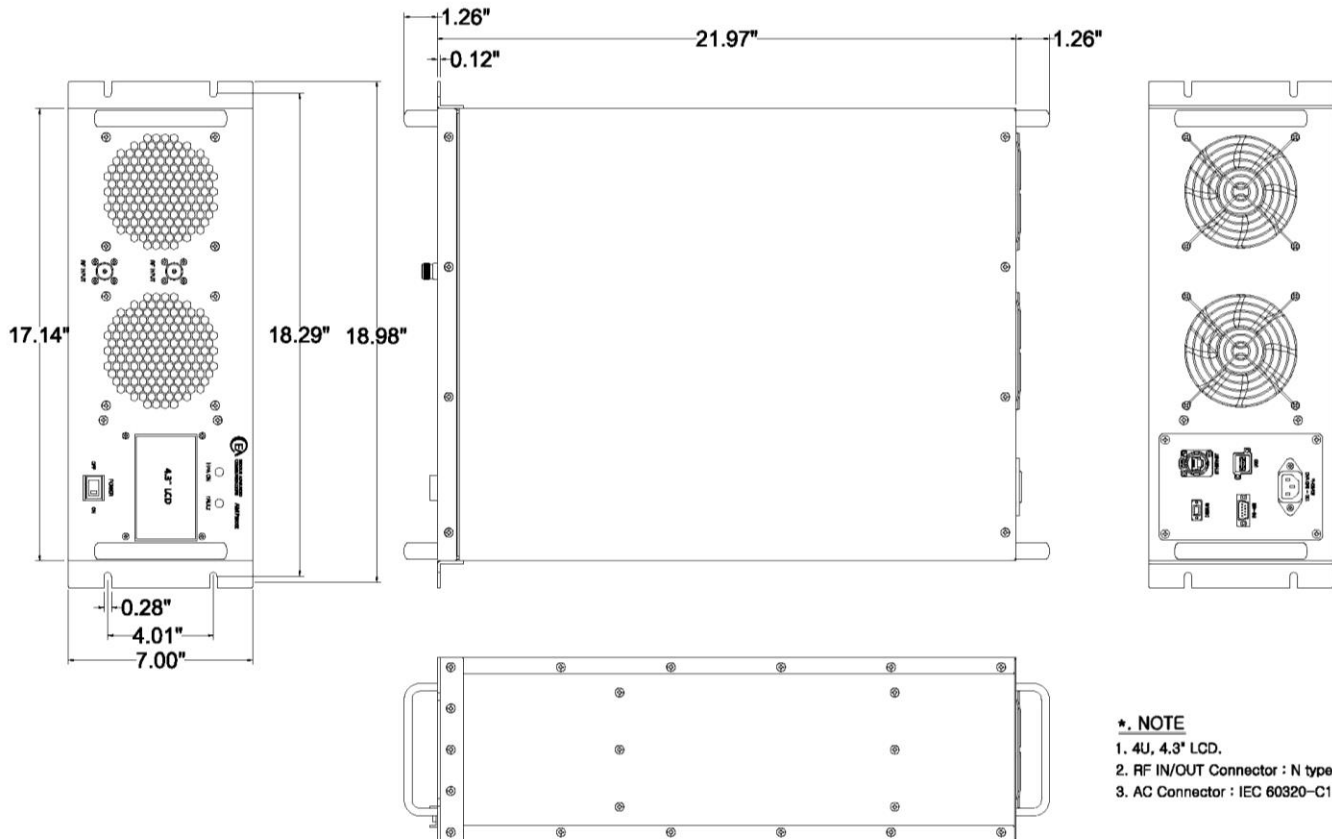
Parameter	Specification	Notes
Operating Ambient Temperature	0 to +50 °C	
Storage Temperature	-40 to +85 °C	
Relative Humidity	5 to 95 %	Non-condensing

## MECHANICAL SPECIFICATIONS

Parameter	Specification	Notes
Dimensions W x H x D	483 x 178 x 580 mm	4U - excluding connectors
Weight	30 Kg. Max	
RF Connectors In/Out	Type-N Female	Front or rear panel
AC Power	IEC 60320-C14 / 9-Pin D-Sub	Or equivalent
Cooling	Built in Fan Cooling	Variable speed
<b>OPTIONAL:</b> Digital Monitor & Control FWD, REV, VSWR, GAIN, ALC, V & I, TEMP	Ethernet RJ-45 TCP/IP, RS422/485, USB Optional GPIB Interface	Remote Bluetooth application

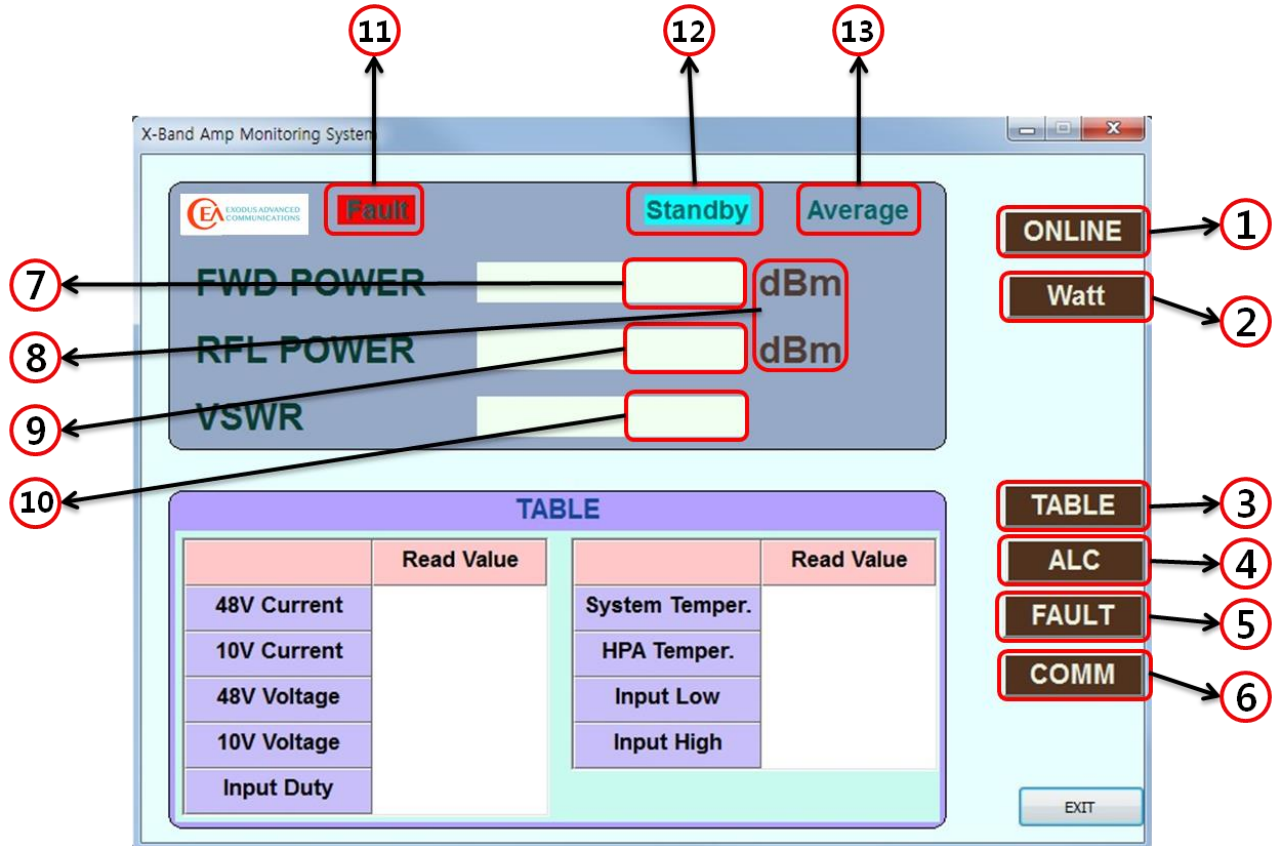
# AMP2013 SOLID STATE HIGH POWER AMPLIFIER

## OUTLINE DRAWING



- \*. NOTE
1. 4U, 4.3" LCD.
  2. RF IN/OUT Connector : N type Female
  3. AC Connector : IEC 60320-C14

## Basic Optional UI Display Interface



- 1) ONLINE/STANDYBY : HPA ON/OFF.
- 2) Watt/dBm : OUTPUT POWER UNIT.
- 3) TABLE : HPA State Table.
- 4) ALC : Auto Level Control.
- 5) FAULT : Display alarm messages.
- 6) COMM : Set the communication method.
- 7) Display Forward Output Power dBm or W.
- 8) Output Power Unit dBm or W.
- 9) Display Reflected Output Power dBm or W.
- 10) Display VSWR Value.
- 11) Display Fault or Clear State.
- 12) Display Standby or Online State.
- 13) Display Output Power Average or Peak.