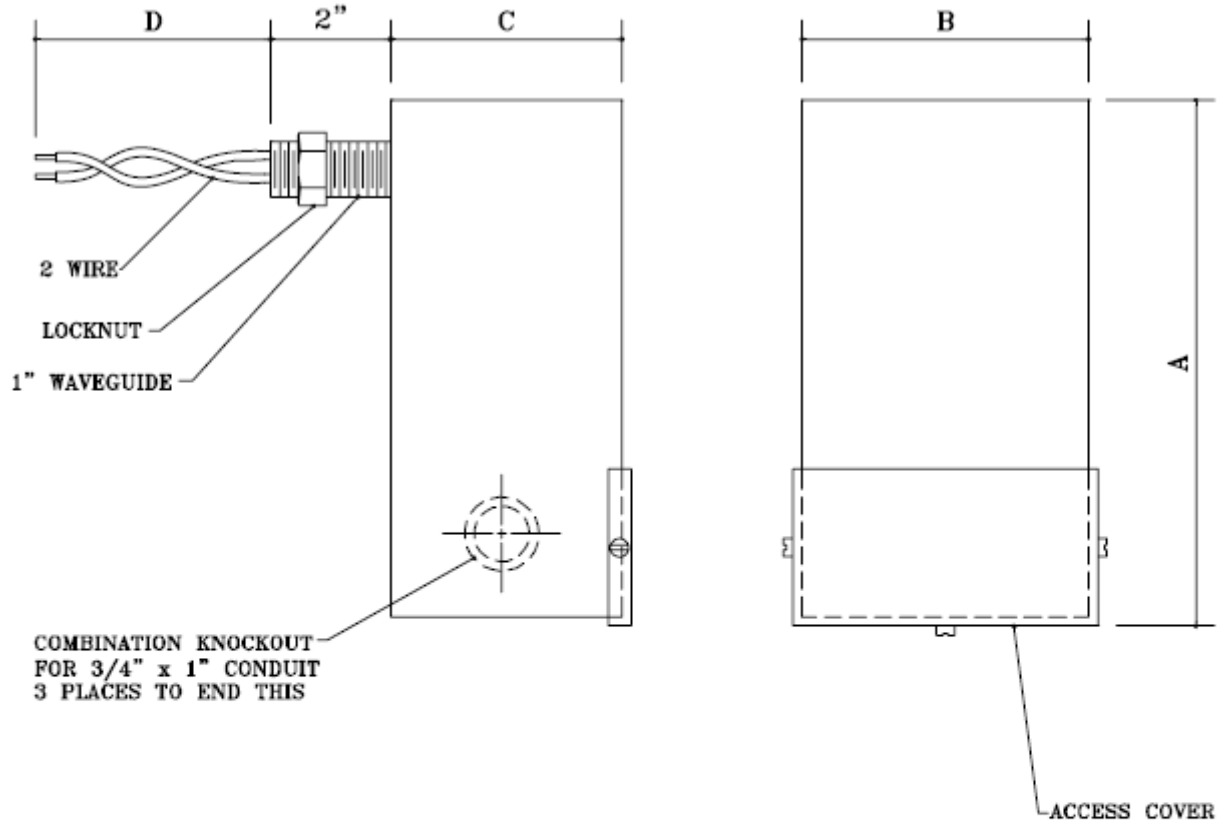




## Universal Shielding Corp.



RFI/EMI SIGNAL LINE FILTER								
INSERTION LOSS 100 DB. - 14 KHZ. TO 10 GHZ. PER MIL. STD. 220 A								
QTY	PART NO.	AMPS	VOLTS	HZ.	A	B	C	D
1	USC 50 - T	2 X .5	120VAC	0-3 KHz	6 3/4"	3 1/2"	2 1/2"	12
	600 OHMS L/L							
	TELEPHONE FILTER							

## Analog Telephone Filter

**Universal Shielding Corp.**  
20 W. Jeffry Blvd.  
Deer Park, NY 11729-5769

Tel: 631-667-7900  
Fax: 631-667-7912  
Email: [usc4shield@aol.com](mailto:usc4shield@aol.com)  
[www.universalshielding.com](http://www.universalshielding.com)