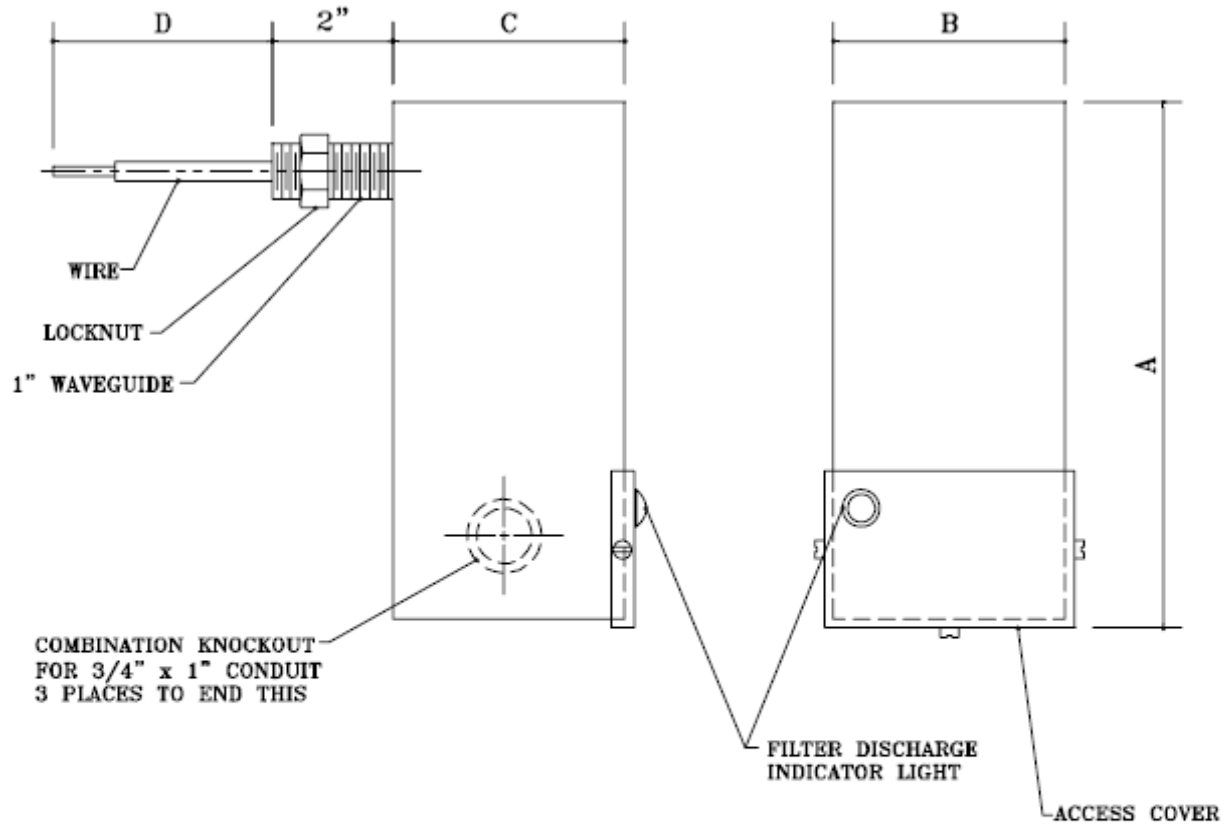




Universal Shielding Corp.



RFI/EMI POWER LINE FILTER								
INSERTION LOSS 100 DB. - 14 KHZ. TO 10 GHZ. PER MIL. STD. 220 A								
QTY	PART NO.	AMPS	VOLTS	HZ.	A	B	C	D
	USC - 50 - 5	5	115	0 - 60	0	4	4	12
	USC - 50 - 30	30	250	0 - 60	20	4	4	12
	USC - 50 - 50	50	250	0 - 60	24	4	4	12
	USC - 50 - 100	100	250	0 - 60	29	4 1/2"	4 1/2"	12

Power Line Filter Single Conductor

Universal Shielding Corp.
20 W. Jeffry Blvd.
Deer Park, NY 11729-5769

Tel: 631-667-7900
Fax: 631-667-7912
Email: usc4shield@aol.com
www.universalshielding.com