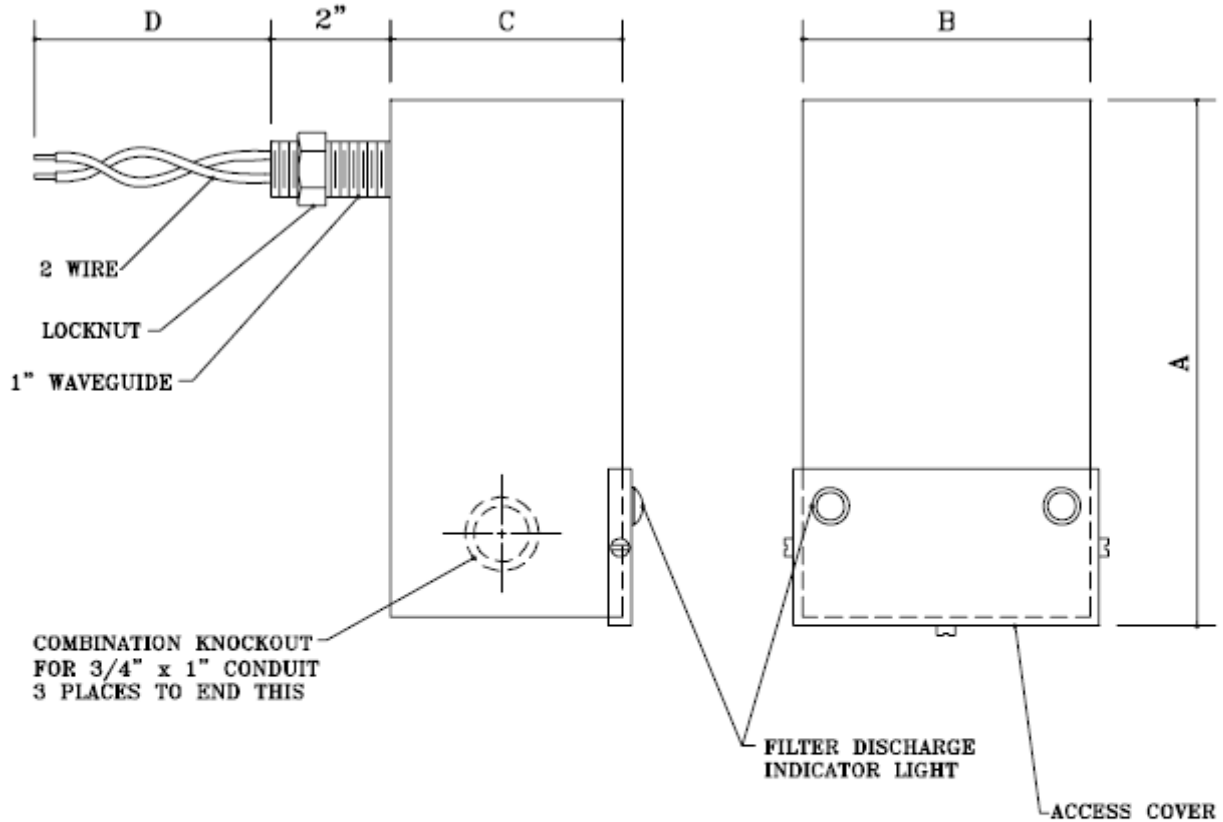




Universal Shielding Corp.



RFI/EMI POWER LINE FILTER								
INSERTION LOSS 100 DB. - 14 KHZ. TO 10 GHZ. PER MIL. STD. 220 A								
QTY	PART NO.	AMPS	VOLTS	HZ.	A	B	C	D
	USC 50 - 2 X 30	2 X 30	250	0 - 50	20	7	4	12
	USC 50 - 2 - 50	2 X 50	250	0 - 50	20	8 1/4	4 1/4	12
	USC 50 - 2 X 5	2 X 5	250	0 - 50	8	3 1/2"	2 1/8"	12

Power Line Filter Dual Conductor

Universal Shielding Corp.
20 W. Jeffryn Blvd.
Deer Park, NY 11729-5769

Tel: 631-667-7900
Fax: 631-667-7912
Email: usc4shield@aol.com
www.universalshielding.com