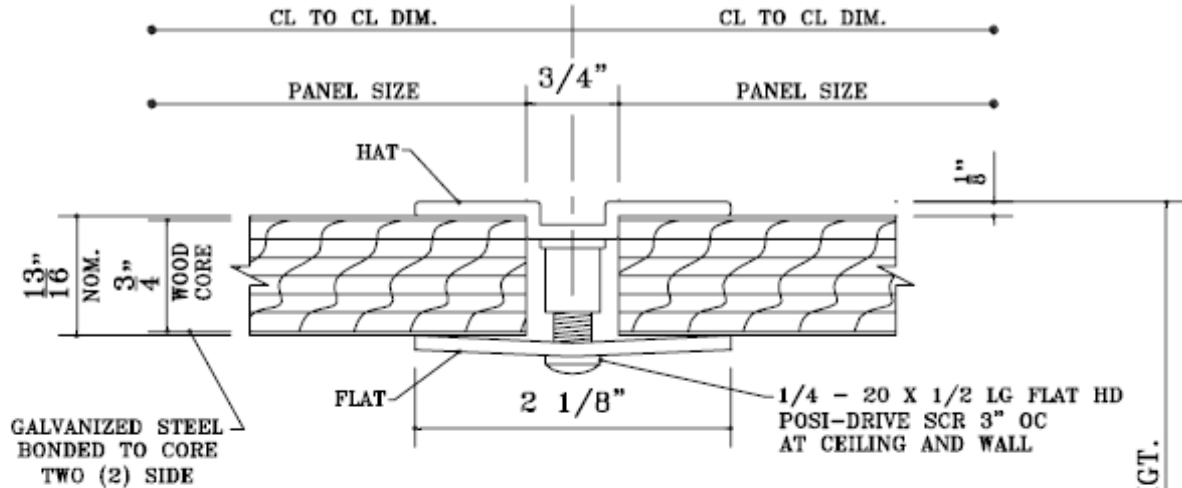


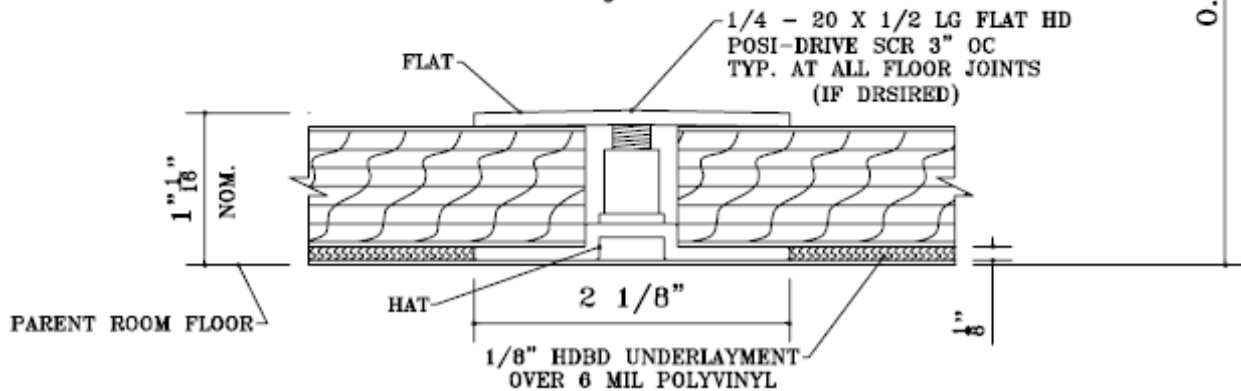


## Universal Shielding Corp.



### CEILING AND WALL JOINT DETAILS

SHIELDED ROOM



### TYP. FLOOR JOINT DETAIL

## Joint Details

**Universal Shielding Corp.**  
20 W. Jeffryn Blvd.  
Deer Park, NY 11729-5769

Tel: 631-667-7900  
Fax: 631-667-7912  
Email: [usc4shield@aol.com](mailto:usc4shield@aol.com)  
[www.universalshielding.com](http://www.universalshielding.com)