



5300 Beethoven Street, Los Angeles, CA 90066  
 TEL: (310)306-5556 • FAX: (310)577-9887  
 WEB: www.ophirrf.com • E-MAIL: sales@ophirrf.com

## MODEL 5303099 SERIES

**20 - 1000 MHz  
 50 WATTS  
 AMPLIFIER MODULE**

### Solid State Broadband High Power RF Amplifier

The 5303099 is a 50 Watt broadband amplifier that covers the 20 – 1000 MHz frequency range. This small and lightweight amplifier utilizes Class A/AB linear power devices that provide high gain, and a wide dynamic range.

Due to robust engineering and employment of the most advanced devices and components, this amplifier achieves high efficiency operation with proven reliability. Like all OPHIR<sub>RF</sub> amplifiers, the 5303099 comes with an extended multiyear warranty.

	<u>Parameter</u>	<u>Specification @ 25° C</u>
<b><u>Electrical</u></b>		
1	Frequency Range	20 – 1000 MHz
2	Saturated Output Power	50 Watts typical
3	Small Signal Gain	+48 dB min
4	Power Gain Flatness	± 1.5 dB max
5	Blanking	TTL
6	Blanking Speed	10uS maximum
7	Input VSWR	2:1 max
8	Harmonics	> -15 dBc typical
9	Spurious Signals	> -60 dBc typical
10	Input/Output Impedance	50 Ohms nominal
11	Power consumption	250 Watt max @ unblanked 30 watts max @ blanked
12	DC Input	18 to 36 VDC
13	RF Input	0 dBm max
14	RF Input Signal Format	CW/AM/FM/PM/Pulse
15	Class of Operation	AB
<b><u>Mechanical</u></b>		
16	Dimensions	5303099-001 6" x 3" x 2.25" 5303099-002 6" x 5" x 1.1"
17	Weight	2 lb. max
18	Connectors	SMA female
19	Grounding	Chassis
20	Cooling	Adequate Heatsink Required
<b><u>Environmental</u></b>		
21	Operating Temperature	0° C to +50° C
22	Operating Humidity	95% Non-condensing
23	Operating Altitude	Up to 10,000' Above Sea Level
24	Shock and Vibration	Normal Truck Transport

SPECIFICATION SUBJECT TO CHANGE WITHOUT NOTICE

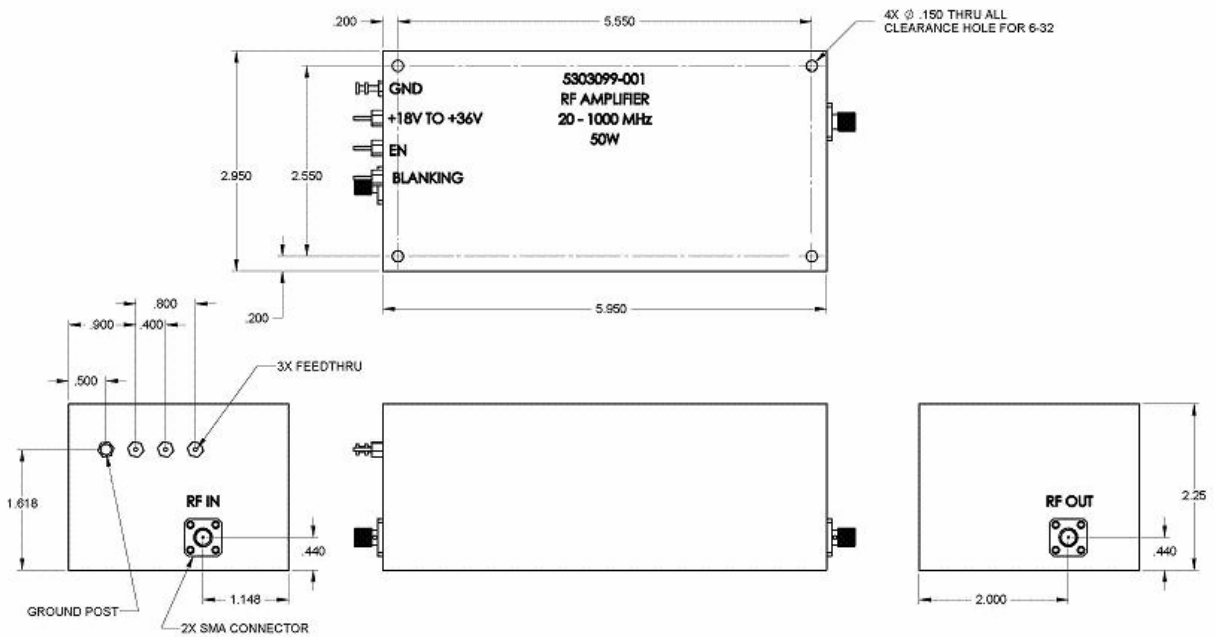
Approved By: \_\_\_\_\_ Date: \_\_\_\_\_



5300 Beethoven Street, Los Angeles, CA 90066  
TEL: (310)306-5556 • FAX: (310)577-9887  
WEB: www.ophirrf.com • E-MAIL: sales@ophirrf.com

## MODEL 5303099 SERIES

20 - 1000 MHz  
50 WATTS  
AMPLIFIER MODULE



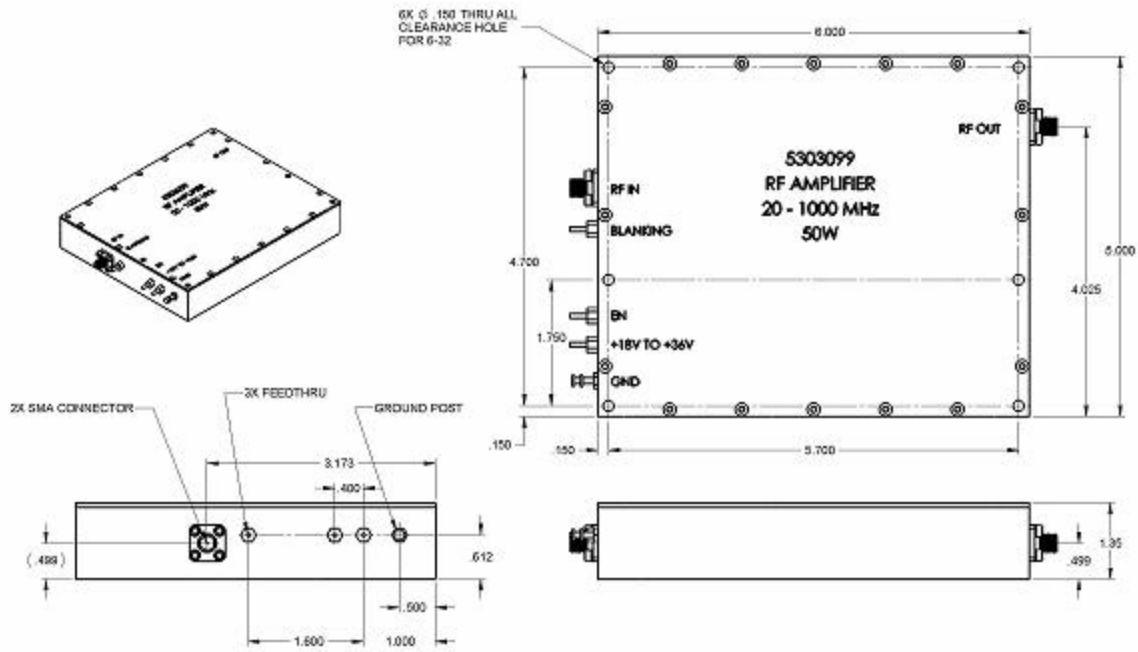
5303099-001 Outline Drawing



5300 Beethoven Street, Los Angeles, CA 90066  
TEL: (310)306-5556 • FAX: (310)577-9887  
WEB: www.ophirrf.com • E-MAIL: sales@ophirrf.com

# MODEL 5303099 SERIES

20 - 1000 MHz  
50 WATTS  
AMPLIFIER MODULE



5303099-002 Outline Drawing