

# EMI Fire Alarm Filter

GF 58270-8

## GENERAL

Dual Circuit Fire Alarm Filter

## APPLICABLE SPECIFICATIONS

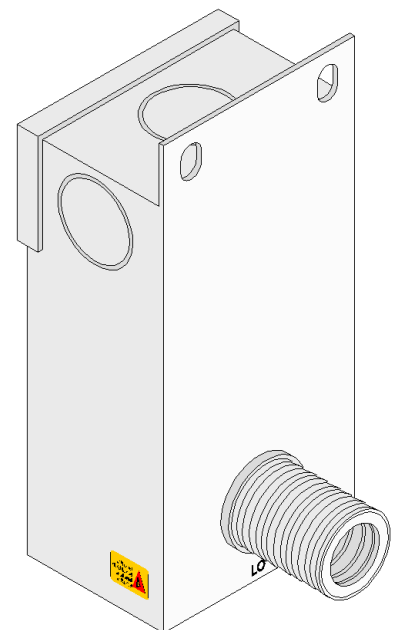
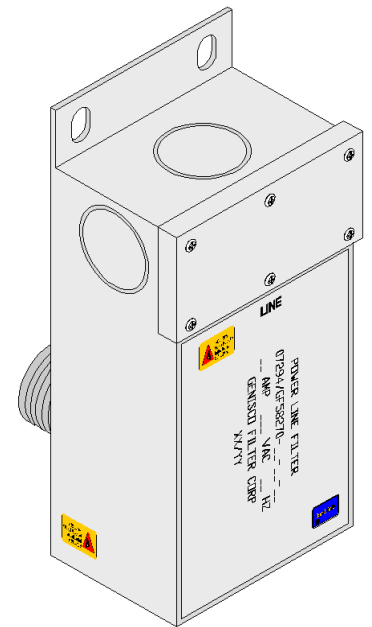
MIL-F-15733 General specifications for filters, military  
MIL-STD-202 Test methods for component parts, military  
MIL-STD-220 Test method of insertion loss as applicable  
Or CISPR17

## FUNCTIONAL CHARACTERISTICS

Voltage Rating:	400 VDC
Voltage Drop:	2% maximum at full rated unity power factor load
Current Rating:	1.0 Amp
Current Overload:	140% maximum current rating for 15 minutes maximum
Temperature:	-10 C to +85C
Insertion Loss:	≥ 100 dB (See Figure 1)
Impedance:	Table 1
Dielectric With- standing voltage:	2 X rated voltage
Insulation Resistance:	IAW MIL-F-15733 (prior to installation of discharge circuits)

## CASE ASSEMBLY

- Enclosed terminations, input end
- Pigtail terminations, filtered output end
- Multi-circuit configurations
- 100 dB series insertion loss to 10GHz
- Filter assemblies inspected per Group A of MIL-F-15733 as applicable
- Welded and soldered seams for shielding effectiveness
- Discharge circuits (bleeder resistors) to reduce shock hazard
- Case material CRS, 16 gauge
- Prewired standoffs and lugs



# EMI Fire Alarm Filter

Series GF 58270-8

**Table 1**

<b>Part No.</b>	GF 58270-8
<b>Impedance:</b> Line to Line	150 $\Omega$
<b>Impedance:</b> Line to Ground	75 $\Omega$
<b>Voltage Max.</b>	400 VDC
<b>Current Max.</b>	1.0 Amp
<b>DC Resistance</b>	$\leq 1.0 \Omega$
<b>Insertion Loss</b>	$\geq 100$ dB
<b>(per MIL-STD-220)</b>	14KHz. to 10GHz.

# EMI Fire Alarm Filter

Series GF 58270-8

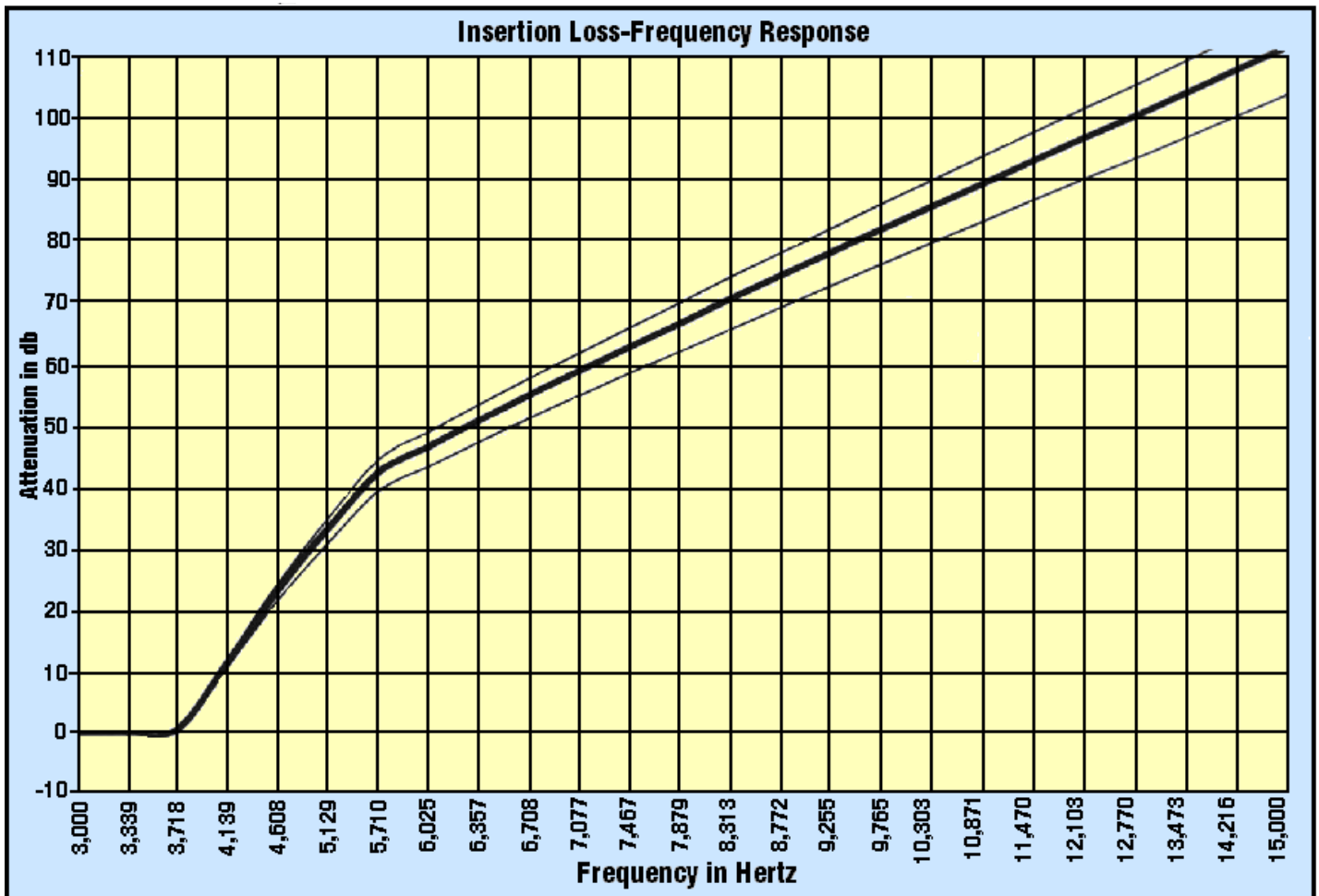


Figure 1

# EMI Fire Alarm Filter

Series GF 58270-8

## Outline Dimensions (Inches)

Part No.	A	B	C
GF 58270-8	9.0	3.5	2.5

