

# EMI Data Filter

GF 58270-29-6

## GENERAL

(3) Dual Circuit Data Line Filter

## APPLICABLE SPECIFICATIONS

MIL-F-15733 General specifications for filters, military  
MIL-STD-202 Test methods for component parts, military  
MIL-STD-220 Test method of insertion loss as applicable  
Or CISPR17

## FUNCTIONAL CHARACTERISTICS

Voltage Rating: 100 VDC  
Voltage Drop: 2% maximum at full rated unity power factor load

Current Rating: 500 mA  
Current Overload: 140% maximum current rating for 15 minutes maximum  
Temperature: -10 C to +85C

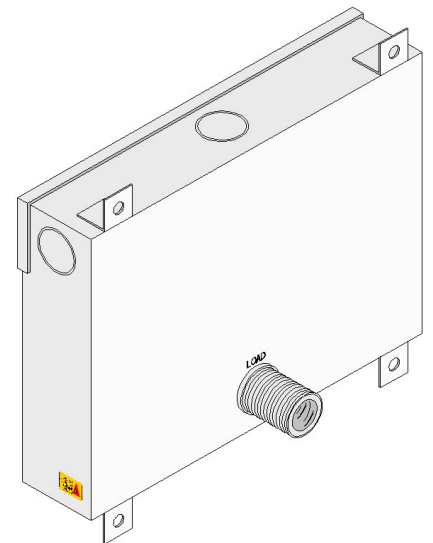
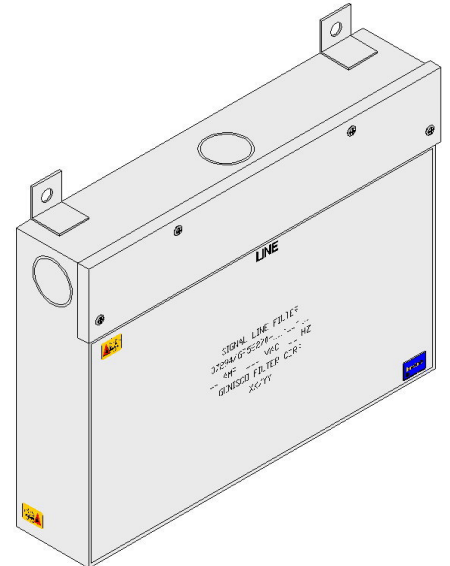
Insertion Loss:  $\geq 50$  dB (See Figure 1)  
Impedance: Table 1

Dielectric With-  
standing voltage: 2 X rated voltage

Insulation  
Resistance: IAW MIL-F-15733 (prior to installation of discharge  
circuits)

## CASE ASSEMBLY

- Enclosed terminations, input end
- Pigtail terminations, filtered output end
- Multi-circuit configurations
- 50 dB series insertion loss to 1GHz
- Filter assemblies inspected per Group A of MIL-F-15733 as applicable
- Welded and soldered seams for shielding effectiveness
- Discharge circuits (bleeder resistors) to reduce shock hazard
- Case material CRS, 16 gauge
- Prewired standoffs and lugs



# EMI Data Filter

Series GF 58270-29-6

**Table 1** (EACH DUAL CIRCUIT)

<b>Part No.</b>	GF 58270-29-6
<b>Impedance:</b> Line to Line	600 $\Omega$
<b>Impedance:</b> Line to Ground	300 $\Omega$
<b>Voltage Max.</b>	100 VDC
<b>Current Max.</b>	0.5 Amp
<b>DC Resistance</b>	$\leq 0.12 \Omega$
<b>Passband</b>	0-10 MHz
<b>Baud Rate</b>	4 MHz
<b>Insertion Loss</b>	$\geq 50$ dB
<b>(per MIL-STD-220)</b>	50MHz. to 1GHz.

# EMI Data Filter

Series GF 58270-29-6

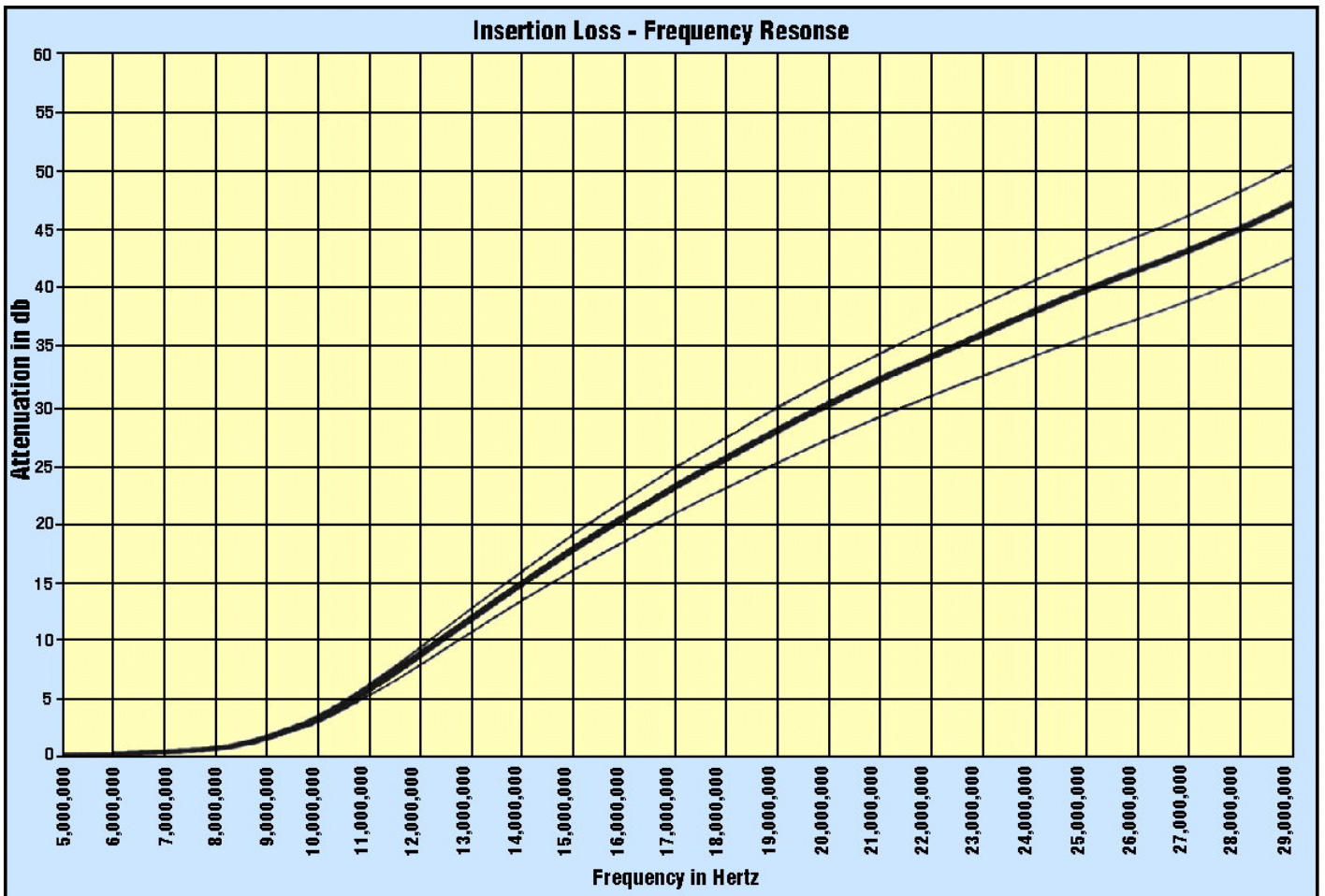


Figure 1 (EACH DUAL CIRCUIT)

# EMI Data Filter

Series GF 58270-29-6

## Outline Dimensions (Inches)

