



AMP4040P SOLID STATE HIGH POWER AMPLIFIER



FEATURES

- Rack mounted system
- Class AB linear LDMOS design
- Instantaneous wide bandwidth
- Suitable for high power VHF pulse applications
- Built-in control, monitoring and protection circuits
- Versatile interface options
- High reliability and ruggedness

ELECTRICAL SPECIFICATIONS

Parameter	Specification	Notes
Operating Frequency Range	120 - 200 MHz	
Peak Output Power	4000 Watt Min	Into 50 Ω
Power Gain	66 dB Min	Pin=0dBm for full rated Pout
Power Gain Flatness	+1.5 / -0 dB Max	Constant input power
Pulse Characteristics	Width	Rise/Fall
	0.1-125 μ S	3.0 % 50 nS
Input Return Loss	12 dB Min	Relative to 50 Ohm
3 rd Order Intercept Point	+76 dBm Min	
Harmonics	-20 dBc Max	At rated output
Spurious	-60 dBc Max	Non-harmonics
Noise Quieting	-80 dBm/MHz Max	
Operating Voltage	208 VAC, \pm 10 %, 60 Hz \pm 10 %	3-Phase
Efficiency	>10 %	At rated Pout
Max Input Power	+8 dBm	Without damage
Load VSWR Protection	∞ : 1 @ rated Pout	Power limiting circuits

ENVIRONMENTAL CHARACTERISTICS

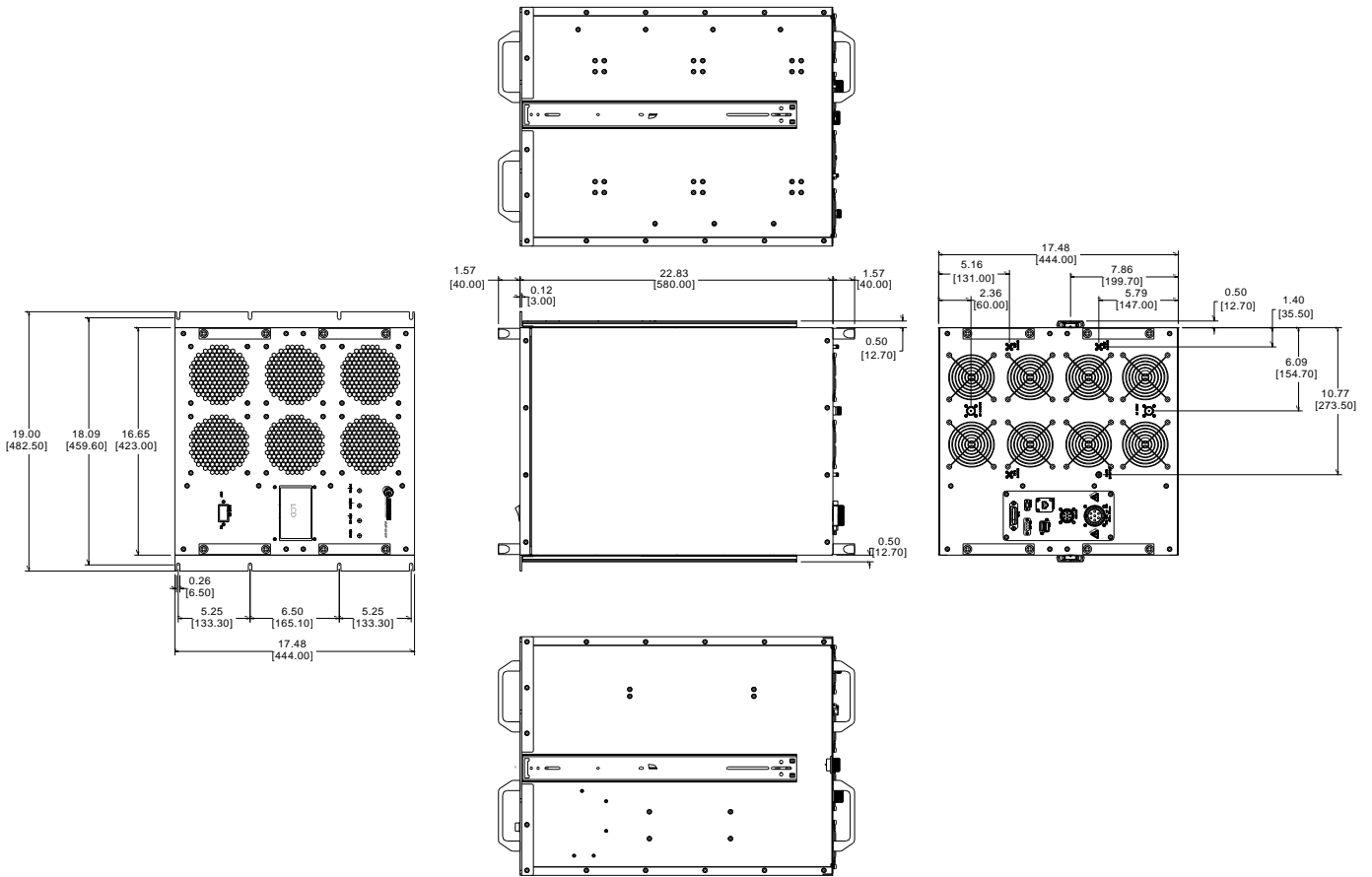
Parameter	Specification	Notes
Operating Ambient Temperature	0 to +50 $^{\circ}$ C	
Storage Temperature	-40 to +85 $^{\circ}$ C	
Relative Humidity	5 to 95 %	Non-condensation
Altitude Operating / Storage	8,000 / 4,000 ft. Min	
Shock / Vibration	12G MIL-STD-810F	

MECHANICAL SPECIFICATIONS

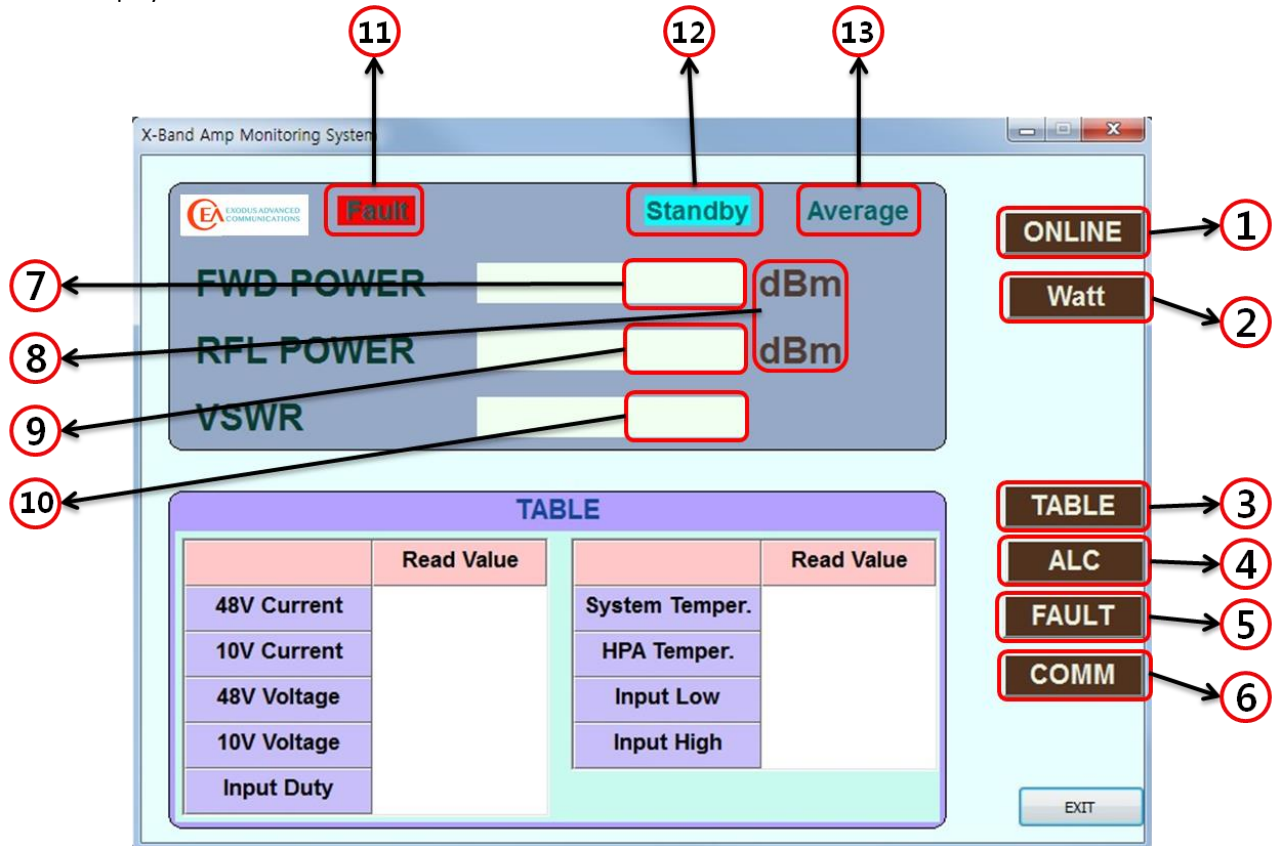
Parameter	Specification	Notes
Dimensions W x H x D	<19 x 17.5 x 26.25 inch	10U
Weight	<190 lb.	
RF Connectors In / Out Connectors	Type-N Female	Rear Panel
AC Power Connector	MS3102A24-10P	Rear panel, or equivalent
GPIO / Remote Connectors	3549-1002 / MS3102A16S-1S	Rear panel, or equivalent
Noise Quieting connector	TNC female	
Cooling	Built in Fan Cooling	Variable speed
Interface	IEEE-488	
OPTIONAL: Digital Monitor & Control FWD, REV, VSWR, GAIN, ALC, V & I, TEMP	Ethernet RJ-45 TCP/IP, RS422/485	Rear panel

AMP4040P SOLID STATE HIGH POWER AMPLIFIER

OUTLINE DRAWING



Basic UI Display Interface



- 1) ONLINE/STANDYBY: HPA ON/OFF.
- 2) Watt/dBm: OUTPUT POWER UNIT.
- 3) TABLE: HPA State Table.
- 4) ALC: Auto Level Control.
- 5) FAULT: Display alarm messages.
- 6) COMM: Set the communication method.
- 7) Display Forward Output Power dBm or W.
- 8) Output Power Unit dBm or W.
- 9) Display Reflected Output Power dBm or W.
- 10) Display VSWR Value.
- 11) Display Fault or Clear State.
- 12) Display Standby or Online State.
- 13) Display Output Power Average or Peak.