



AMP2013A-LC SOLID STATE HIGH POWER AMPLIFIER

FEATURES

- Rack mounted system
- Class AB linear LDMOS design
- Instantaneous wide bandwidth
- Suitable for CW, pulse and all single channel modulation standards
- Built-in protection circuits
- High reliability and ruggedness



ELECTRICAL SPECIFICATIONS

Parameter	Specification	Notes
Operating Frequency Range	20 - 520 MHz	
Power Output @ Psat	800 Watt Min / 900W Typ	CW
Power Gain	59 dB Min	
Power Gain Flatness	3 dB p-p Max	Constant input power
Input Return Loss	10 dB Min	Relative to 50 Ohm
2-Tone Intermodulation (IMD)	-30 dBc Typ	48dBm/Tone, $\Delta = 1\text{MHz}$
Harmonics	-20 dBc Typ	At rated output
Spurious	60 dBc Min	Non-harmonics
Operating Voltage	100 - 240 VAC	
Power Consumption	2000 Watt Max	At rated output
Max Input Power Protection	+8 dBm	<10Sec without damage
Load VSWR Protection	5 : 1	<1 minute at rated output

ENVIRONMENTAL CHARACTERISTICS

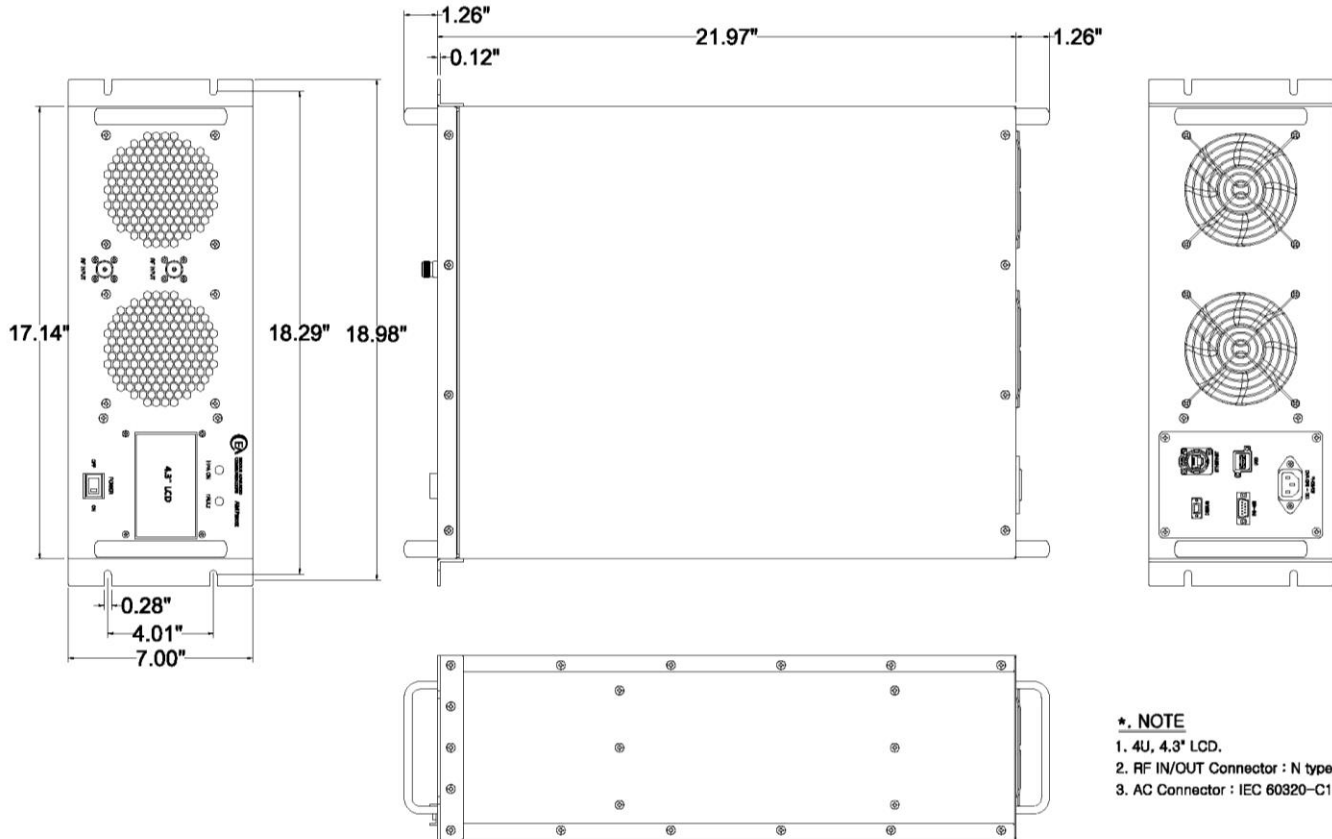
Parameter	Specification	Notes
Operating Ambient Temperature	0 to +50 °C	
Storage Temperature	-40 to +85 °C	
Relative Humidity	5 to 95 %	Non-condensation

MECHANICAL SPECIFICATIONS

Parameter	Specification	Notes
Dimensions W x H x D		
Weight		
RF Connectors In/Out	Type-N Female	Front Panel Standard
AC Power	IEC 60320-C14 / 9-Pin D-Sub	Or equivalent
Cooling	Built in Fan Cooling	Variable speed
OPTIONAL: Digital Monitor & Control FWD, REV, VSWR, GAIN, ALC, V & I, TEMP	Ethernet RJ-45 TCP/IP, RS422/485 Optional GPIB Interface	Remote Bluetooth application

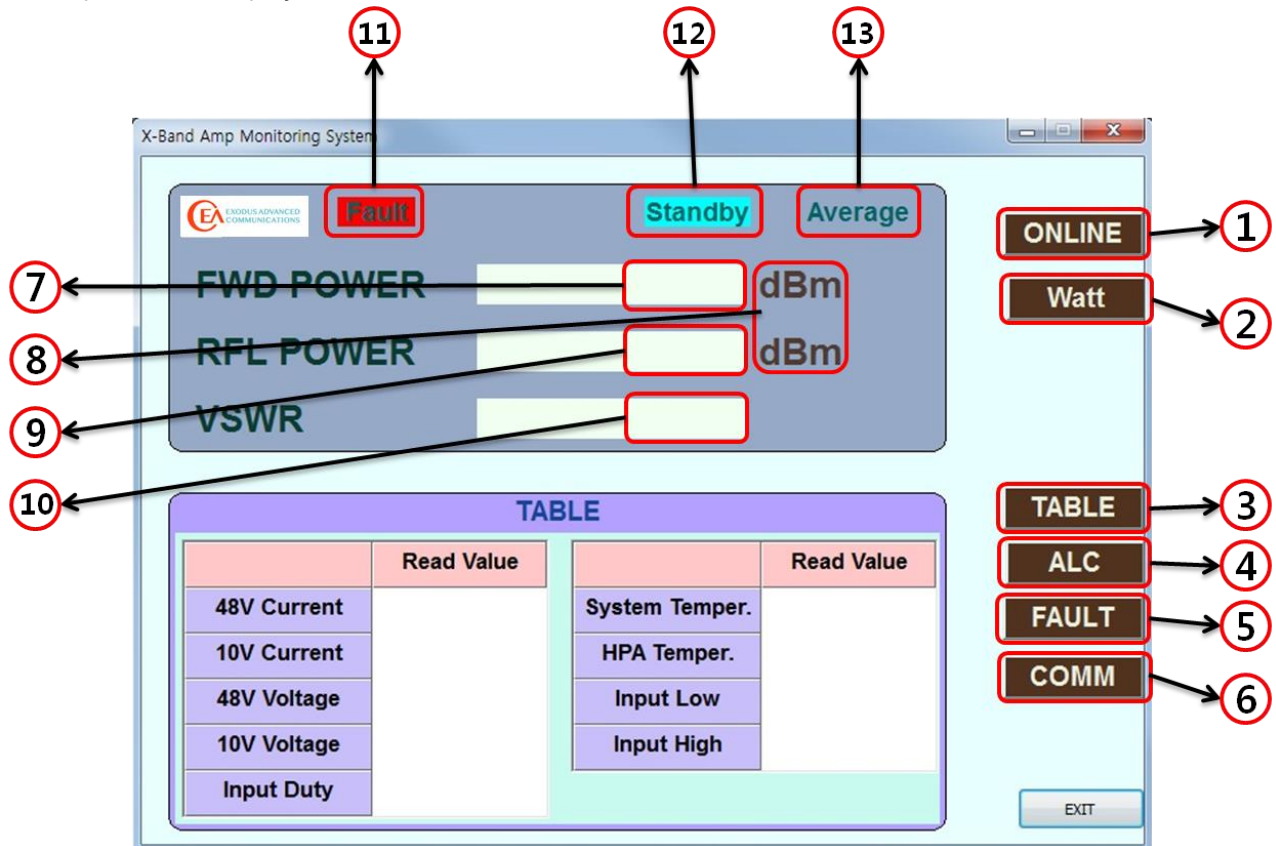
AMP2013A-LC SOLID STATE HIGH POWER AMPLIFIER

OUTLINE DRAWING



- *. NOTE**
1. 4U, 4.3" LCD.
 2. RF IN/OUT Connector : N type Female
 3. AC Connector : IEC 60320-C14

Basic Optional UI Display Interface



- 1) ONLINE/STANDYBY : HPA ON/OFF.
- 2) Watt/dBm : OUTPUT POWER UNIT.
- 3) TABLE : HPA State Table.
- 4) ALC : Auto Level Control.
- 5) FAULT : Display alarm messages.
- 6) COMM : Set the communication method.
- 7) Display Forward Output Power dBm or W.
- 8) Output Power Unit dBm or W.
- 9) Display Reflected Output Power dBm or W.
- 10) Display VSWR Value.
- 11) Display Fault or Clear State.
- 12) Display Standby or Online State.
- 13) Display Output Power Average or Peak.