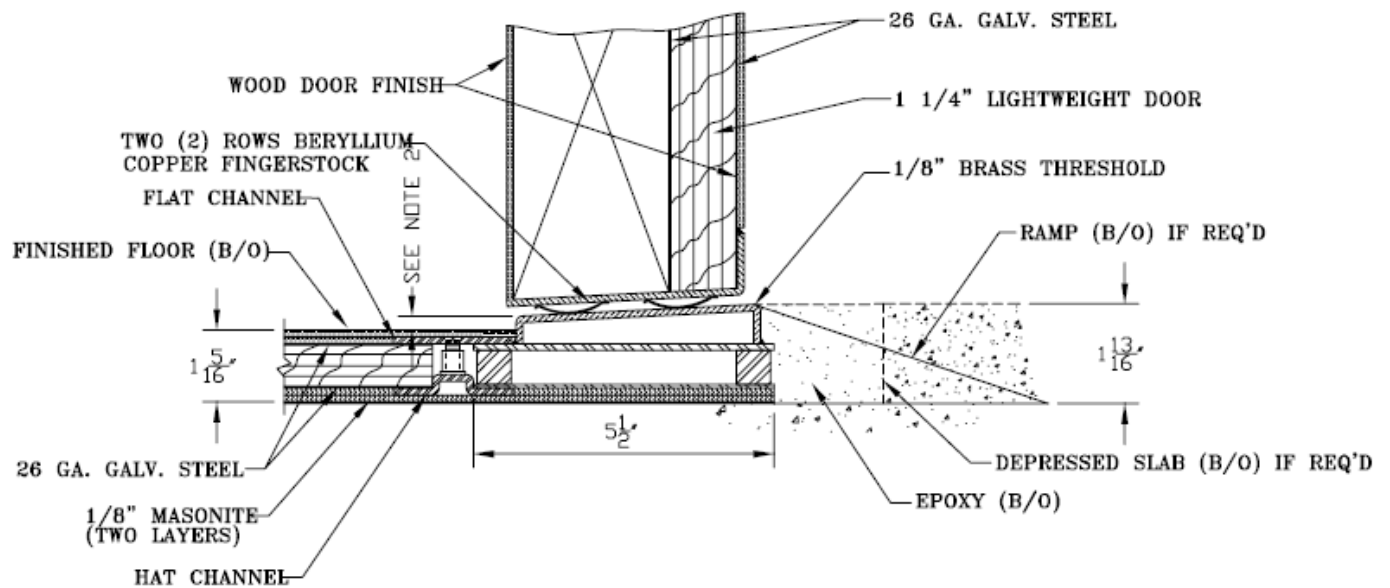




Universal Shielding Corp.



MRI Door Threshold

Universal Shielding Corp.
20 W. Jeffry Blvd.
Deer Park, NY 11729-5769

Tel: 631-667-7900
Fax: 631-667-7912
Email: usc4shield@aol.com
www.universalshielding.com