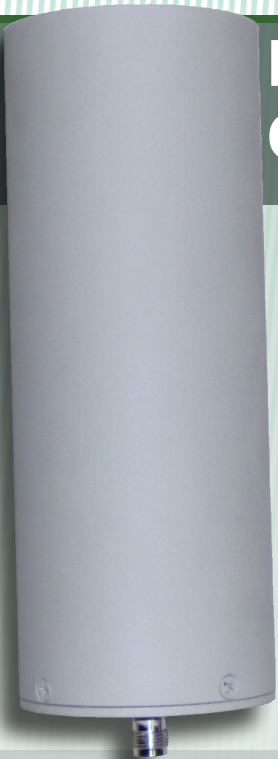


BC-0375 Omni-Directional Antenna

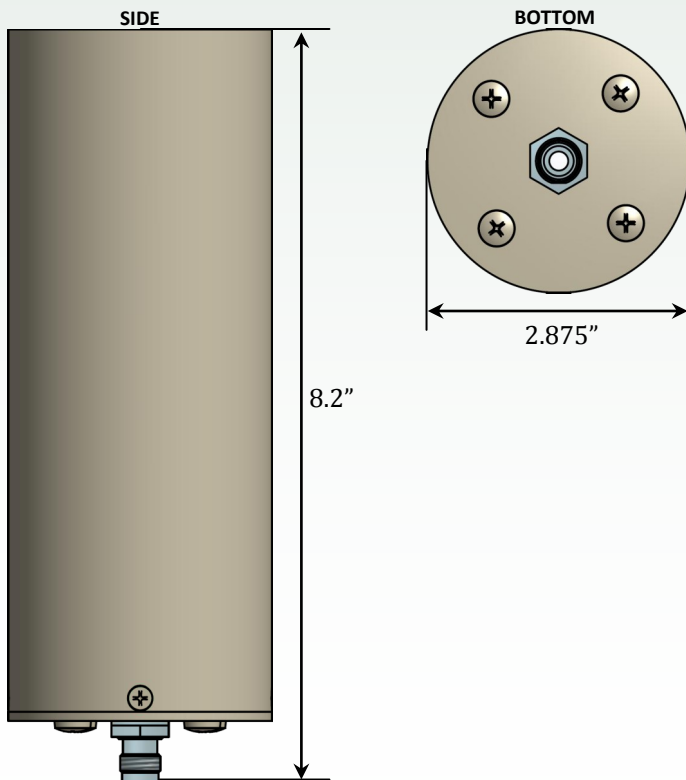


The BC-0375 is a wide band (550 to 900 MHz), small, biconical transmit and receive antenna contained within a rugged, sealed radome. The result is a commercially priced antenna with the toughness and performance of a military antenna. The radome is encased in a durable fiberglass construction and sealed for extended outdoor use. The antenna is both electrically superior and easily deployable. A standard configuration BC-0375 comes with a female TNC-connector oriented along the bottom of the antenna and pole-mounting hardware. Optional connectors, mounts and power handling modifications are available for your application.

FEATURES

- Wideband antenna (550 to 900 MHz)
- Lightweight
- 360 degree coverage
- Quick and easy to setup
- Durable fiberglass construction
- Pole-mount hardware included

SPECIFICATIONS



Type	Biconical
Frequency Range	550 to 900 MHz
Gain	3.0 dB @ center frequency
Polarization	Linear (Vertical)
HPBW	360° x 85° @ f ₀
Maximum Power	50 Watts, CW
Maximum VSWR	2.0:1
Connector	TNC (pictured)/N-Type
Dimensions	8.200"(h) x 2.875"(dia.)
Weight	1.2 lbs
Environment	Commercial/Industrial (harsh)



BICONICAL



OMNI-DIRECTIONAL



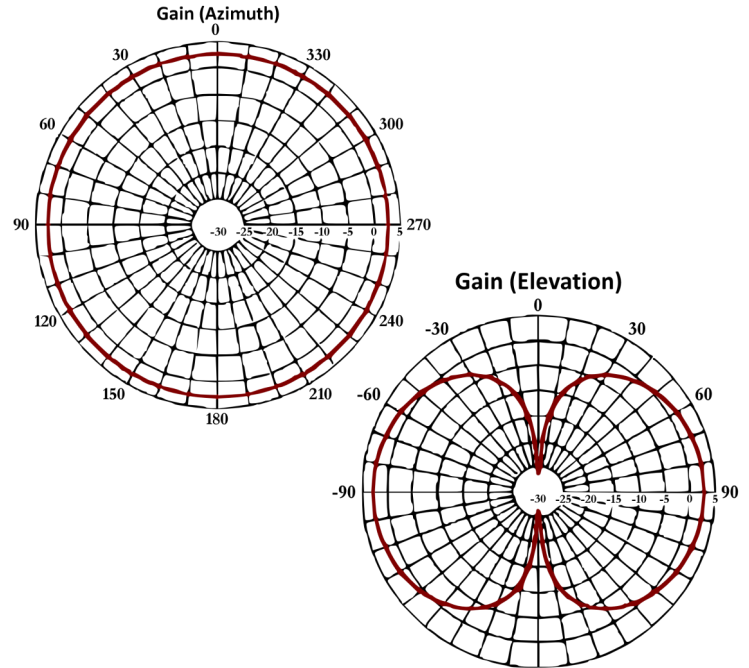
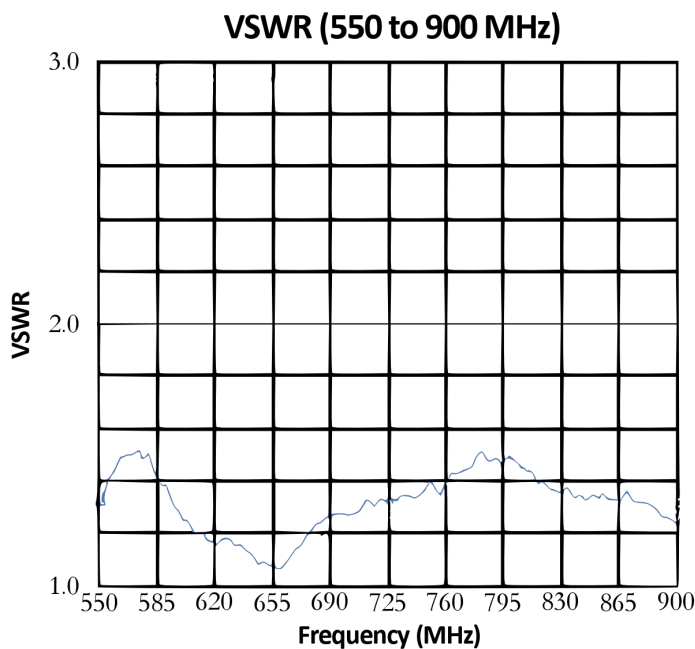
550 TO 900 MHz



LINEAR

BC-0375 Omni-Directional Antenna

PERFORMANCE



CUSTOMIZING YOUR BC-0375 ANTENNA

MOUNTING OPTIONS

The standard BC-0375 antenna comes in a pole-mount configuration. If a pole mount configuration will not suit your application, the BC-0375 can be modified to be mounted on magnetic mount or other manner that will best fit your requirements. Other options include tripod, antenna towers, and solar-powered mount systems for remote and long-term operation.

COLOR OPTIONS



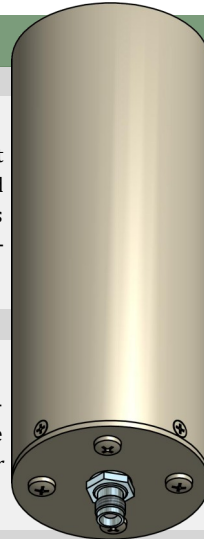
A variety of paint options are available to fulfill your coating requirements. Federal Standard 595B colors, Chemical Agent Resistant Coating (CARC) or spot color schemes are available. Contact a TMC Design representative to specify coating options (*most popular colors shown above*).

RF MATING OPTIONS

All TMC Design antennas can be modified to include an RF connector that best fits your application. Be sure to specify the connector that is needed or ask one of our representatives for assistance in finding an RF mating solution that will best fit your requirements.

HIGH-POWER OPTIONS

To increase range and improve reception, most TMC Design antennas can be modified operate in high-power applications.



TMC Design Headquarters

4325 Del Rey Blvd.
Las Cruces, NM 88012
(tel) 575-382-4600
(fax) 575-523-8588

TMC Design Space Operations Center

7765 Electronic Drive
Colorado Springs, CO 80922
(tel) 719-622-0130
(fax) 719-622-0134

TMC Design Space Planning & Tactics

5030 Bradford Drive
Building 1, Suite 230
Huntsville, AL 35805
(tel) 256-830-4055
(fax) 256-830-4066

www.tmcdesign.com

tmc@tmcdesign.com



**AS9100B
KEMA CERTIFIED**



**ISO9001:2008
KEMA CERTIFIED**



February 2011, Rev.1