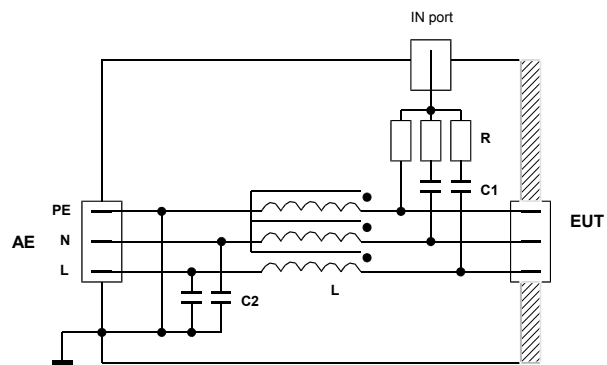


CDN M4-xx

for 4 unshielded power (mains) lines

Coupling / decoupling networks (CDN) for immunity tests acc. to EN 61000-4-6 / IEC 1000-4-6



Typical Circuit diagram shown with CDN M3

- **Order Number: M4-xx** (xx = rated current: 16 = 16A, 32 = 32A)
- **Higher rated current on request**
- **50Ω-termination included**

Technical data:		
EUT / AE Connection	AC voltage:	250V _{eff}
	DC voltage:	400V
	Rated current:	16A (optional 32A)
	Connectors:	4mm banana jack
RF in	Frequency-range:	150kHz - 230MHz
	Connector:	BNC, 50Ω
	RF constant power:	6W
Common-mode impedance	150kHz - 26MHz:	130 - 170Ω
	26MHz - 230MHz:	105 - 210Ω
Insertion loss Generator / EUT (AE connector open/ short-circuit)	150kHz - 80MHz:	a = 10dB ±1dB
	80MHz - 230MHz:	a = 10dB +2dB
Decoupling attenuation Generator / AE (EUT connector = 150Ω)	150kHz - 1MHz:	a > 50dB
	1MHz - 80MHz:	a > 40dB
	80MHz - 230MHz:	a > 25dB
Transmission loss EUT/AE (50Ω-System)	f < 1kHz:	a < 0.1dB