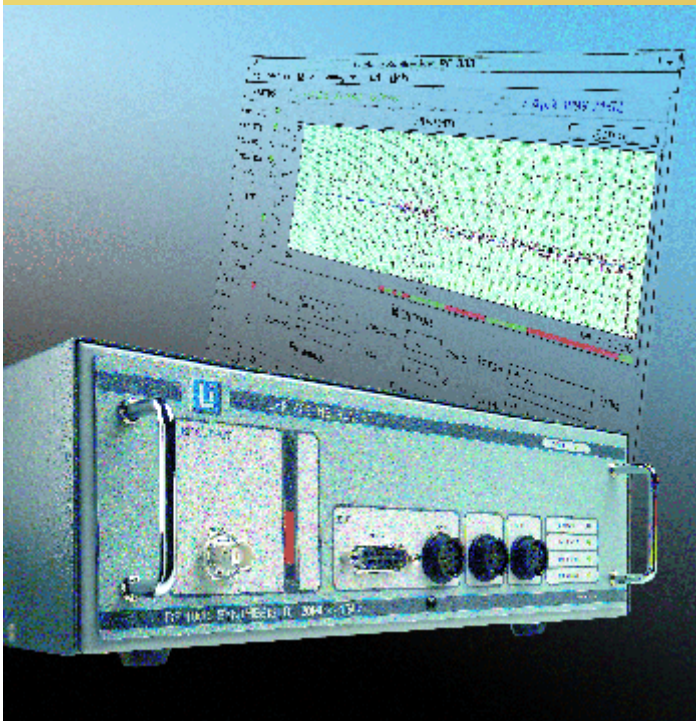


# RF Immunity Test Systems

## Complete systems for IEC61000-4-3 testing

- Integrated systems for RF susceptibility tests. Complete or part solutions available.
- Powerful PC software control and automation included.
- Designed for GTEM, compact cell or anechoic chamber applications.
- USB interface for very simple operation.
- Range covers everything from cables to chambers, sensors to software.



**Comprehensive** The range includes everything you need including synthesisers, power amps, field sensors, compact test cells and anechoic chambers.

**Compliance** The elements in this range are designed for IEC61000-4-3 compliance. Signal sources feature the required modulation and frequency range and the software fully implements the necessary test techniques.

**Integration** The Laplace range simply plug together with a common Windows software package providing all the control, monitoring and recording functions

**Simplicity** These systems are renowned for ease of operation. The software is outstanding in terms of flexibility and intuitive user interface.

The Laplace range of RF immunity test systems provides the user with a complete integrated system for the compliance testing of products to international RF immunity standards.

The range includes:

- Control/synthesisers
- Power amplifiers
- Switching units
- Field sensors
- Antennas
- Windows software
- Compact test cells
- Anechoic chambers

Photograph shows an RF2000, immunity system controller and synthesiser, with associated Windows software program.



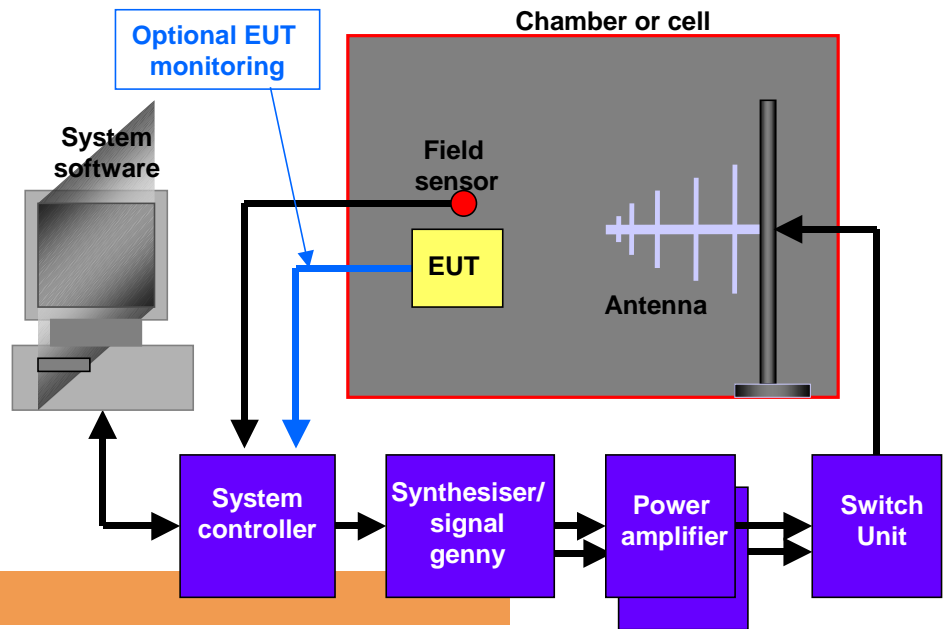
LAPLACE INSTRUMENTS LTD

## RF immunity testing to IEC61000-4-3

This type of testing requires several different resources as shown on the diagram.....

- A test cell or chamber
- A system controller
- A signal generator
- A power amplifier
- A power amplifier switch unit
- An antenna
- A field sensor
- Ideally, some EUT monitoring.
- And Windows software to run everything!

Laplace can supply all these items as an integrated 'run-to-run system, or individual items to match your existing resources.



### The range

| Item   | Model ref.      | Summary specification                                    | Notes  |
|--|-----------------|--|--|
| <b>Test cell or Chamber</b>  | Lc300/2         | 30MHz—3GHz<br>EUT size 30cm cube                         | Note that the Lcxxx test cells incorporate the sensor and antenna and comply with IEC61000-4-20. |
|  | Lc600           | 30MHz—3GHz<br>EUT size 60cm cube                         |  |
|  | Compact chamber | 3m test distance<br>SAC or FAC, high performance chamber |  |
| <b>System controller and synthesiser</b><br>(Combined into one unit) | RF1000          | 30MHz—1GHz   | Compliant with IEC61000-4-3.   |
|  | RF2000          | 30MHz—2.4GHz   | Includes EUT monitoring features.  |
| <b>Field sensor</b><br>(Not required for Lc300/2 or Lc600)           | HI-4422         | Includes 10m fibre optic cable and serial interface.     | Requires -RS option on RF1000 or RF2000.   |
| <b>Power amplifier</b>   | RF1100          | 24W, 30MHz—1GHz  | See separate brochure for field strength performance in the various cells/chambers               |
|  | RF1170          | 70W, 30MHz—1GHz  |  |
|  | RF1200          | 12W, 0.8GHz—2GHz   |  |
|  | RF1240          | 40W, 0.8GHz—2GHz   |  |
| <b>Switch unit</b>   | LETIS           | Automatic switching of power amplifier connections       |  |
| <b>Antenna</b>   | RF200           | 30MHz—1GHz   | Not required for Lc300/2 or Lc600).  |
|  | RF220           | 1GHz—2GHz  |  |

### Software

Software is at the heart of any EMC test system. The Laplace RFSynth software is a fully integrated Windows compliant package. It directly controls all the items highlighted in red via a USB port on the host PC. Complete flexibility as regards test technique, test sequencing and test parameters is offered. Full display of test results, including achieved field strength and EUT status.

### Cells and Chambers

For smaller products, Laplace offers the LaplaCell range of test cells. These compact cells offer the ultimate in convenience whilst maintaining compliance with IEC61000-4-3. For products larger than 60cm cube, compact 3m test chambers can be supplied. These high performance chambers are available in SAC and FAC format and include full installation and calibration.

### Finally

The Laplace range is fully supported worldwide. Helplines and lifetime software support are included for all our customers.

Available from

## LAPLACE INSTRUMENTS LTD

3B Middlebrook Way, Cromer, Norfolk  
NR27 9JR. UK

Tel: +44 (0)1263 51 51 60  
Fax: +44 (0)1263 51 25 32  
Web site: [www.laplace.co.uk](http://www.laplace.co.uk)  
E-mail: [tech@laplace.co.uk](mailto:tech@laplace.co.uk)