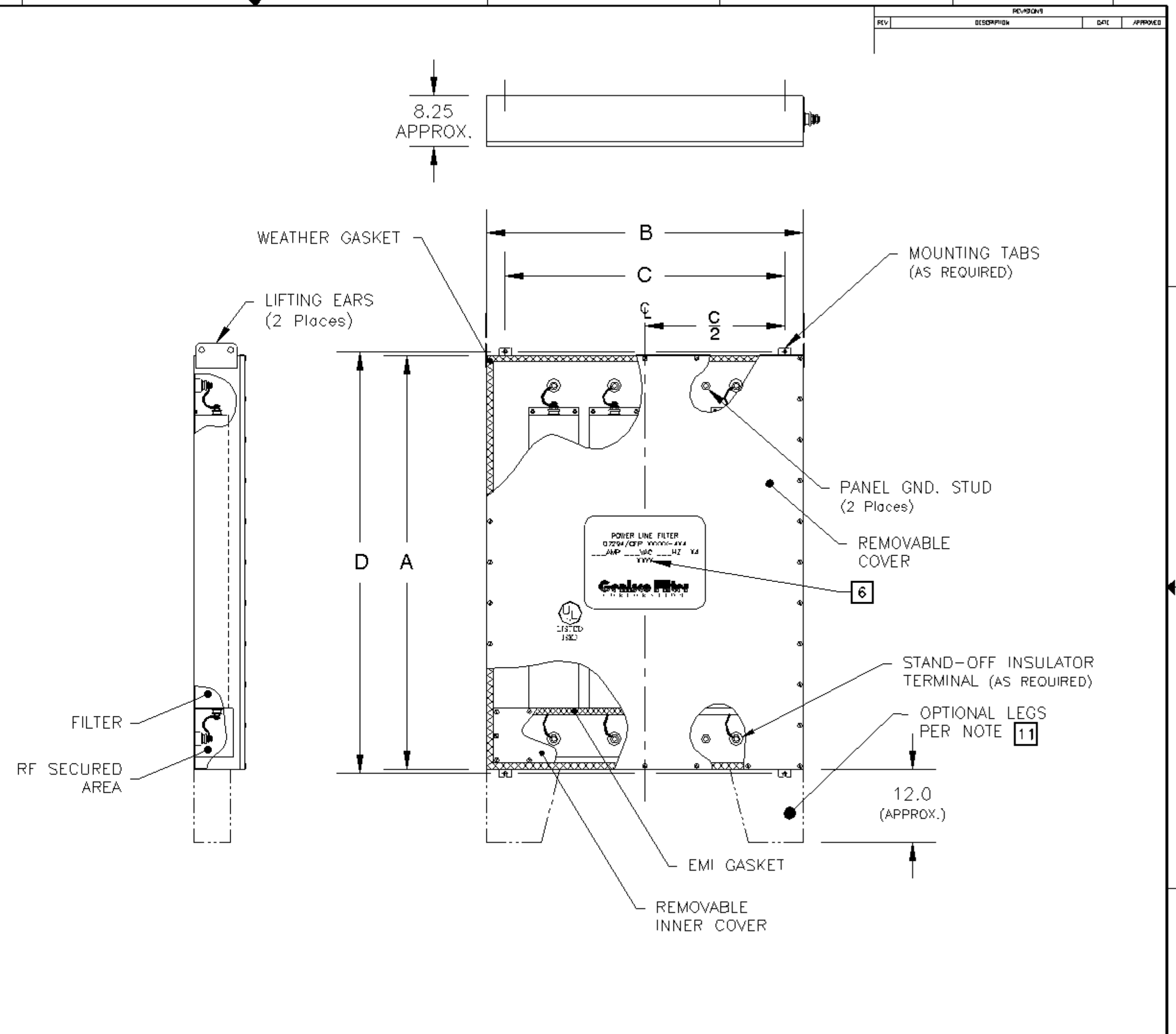


TABLE I					
NUMBER of CONDUCTORS & CURRENT RATING	A (Inches)	B (Inches)	C (Inches)	D (Inches)	APPROX. WT. (LBS)
2X 5 & 10 AMP	42.0	12.0	6.00	43.25	150
3X 5 & 10 AMP	42.0	18.0	12.00	43.25	208
4X 5 & 10 AMP	42.0	23.0	17.00	43.25	290
5X 5 & 10 AMP	42.0	29.0	23.00	43.25	390
2X 20 & 30 AMP	44.0	12.0	6.00	45.25	170
3X 20 & 30 AMP	44.0	18.0	12.00	45.25	220
4X 20 & 30 AMP	44.0	23.0	17.00	45.25	310
5X 20 & 30 AMP	44.0	29.0	23.00	45.25	410
2X 50 & 60 AMP	48.0	12.0	6.00	49.25	208
3X 50 & 60 AMP	48.0	18.0	12.00	49.25	300
4X 50 & 60 AMP	48.0	23.0	17.00	49.25	400
5X 50 & 60 AMP	48.0	29.0	23.00	49.25	500
2X 100 AMP	48.0	16.0	10.00	49.25	220
3X 100 AMP	48.0	24.0	18.00	49.25	400
4X 100 AMP	48.0	31.0	25.00	49.25	490
5X 100 AMP	48.0	39.0	33.00	49.25	650
2X 150 AMP	60.0	22.0	16.00	61.25	330
3X 150 AMP	60.0	32.0	26.00	61.25	630
4X 150 AMP	60.0	42.0	36.00	61.25	875
5X 150 AMP	60.0	52.0	46.00	61.25	1200
2X 200 to 250 AMP	68.0	22.0	16.00	69.25	600
3X 200 to 250 AMP	68.0	32.0	26.00	69.25	850
4X 200 to 250 AMP	68.0	42.0	36.00	69.25	1100
5X 200 to 250 AMP	68.0	52.0	46.00	69.25	1450



--SEE SHEET 2 --

NOTES : UNLESS OTHERWISE SPECIFIED

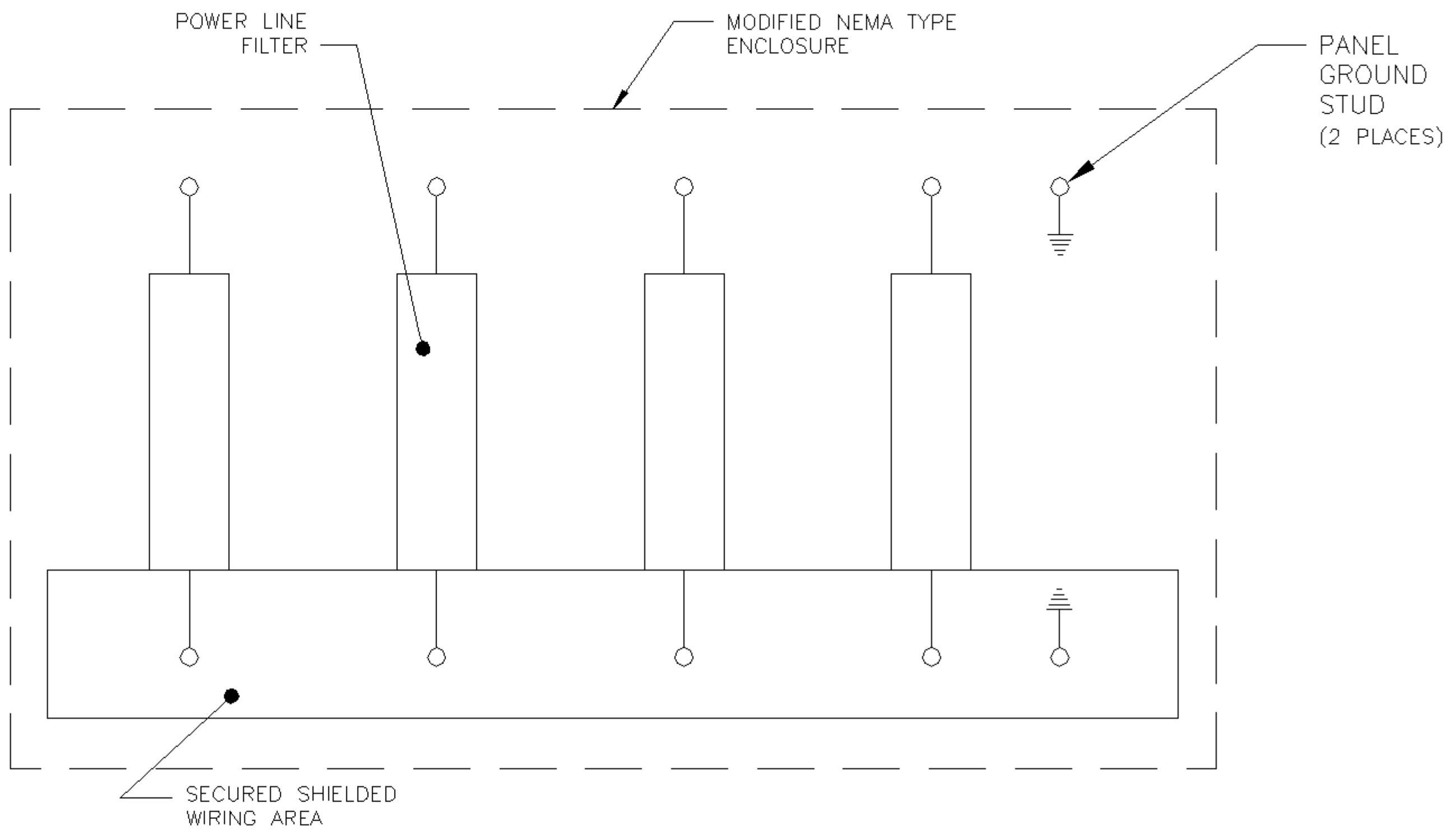
UNLESS OTHERWISE SPECIFIED		DESIGN: RICH ARNEY	DATE: 11/13/20	GENISCO FILTER CORPORATION	APPROX: FILTER
TOLERANCES		FRZD.	DECIMALS	FRACTIONS	ANGLES
MATERIAL:		See Note 8			
NEXT ASSY:	USED ON:	RELEASE:	OLD DRAWING NUMBER:	SCALE: NONE	INCHES
APPLICATION:		SIZE: B	GENISCO NO.: 07294	DWG NO.: 057-5821-6XX	REV: --

POWER LINE PANEL FILTER

GFP 58216 SERIES

REV.	DESCRIPTION	DATE	APPROVED

TABLE II	
VOLTAGE RATING	
A	100 VOLTS
B	120/208 VAC 60HZ
C	120/208 VAC 400HZ
D	277/480 VAC 60HZ



TYPICAL SCHEMATIC DIAGRAM

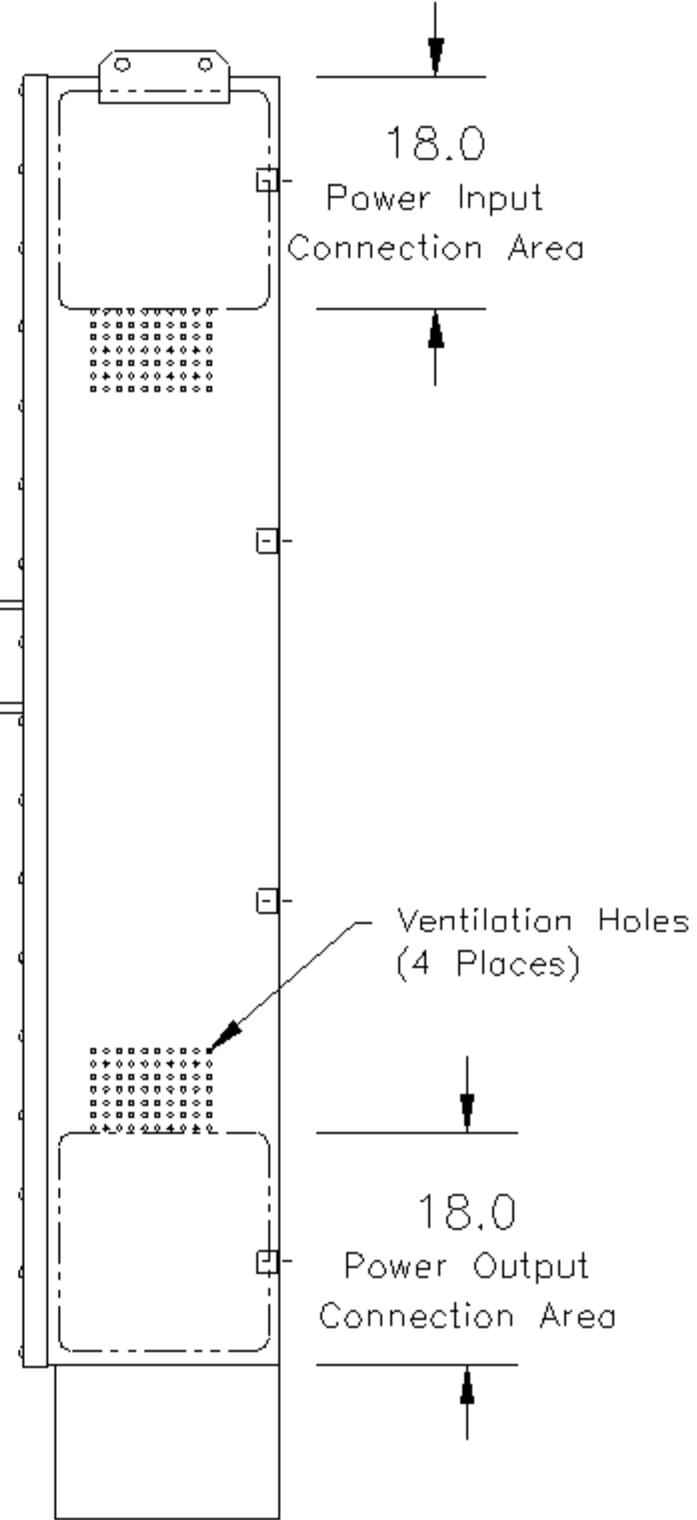
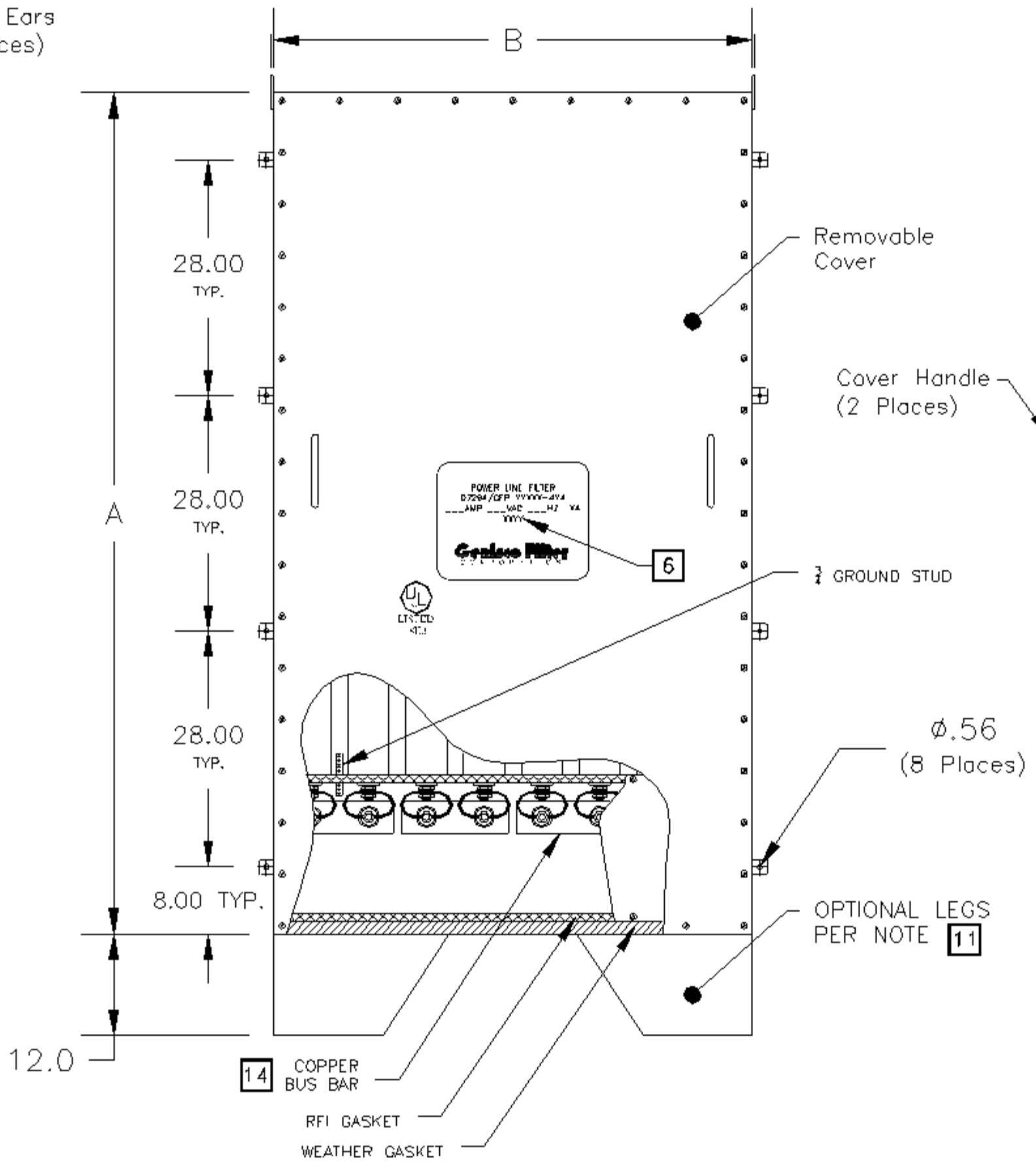
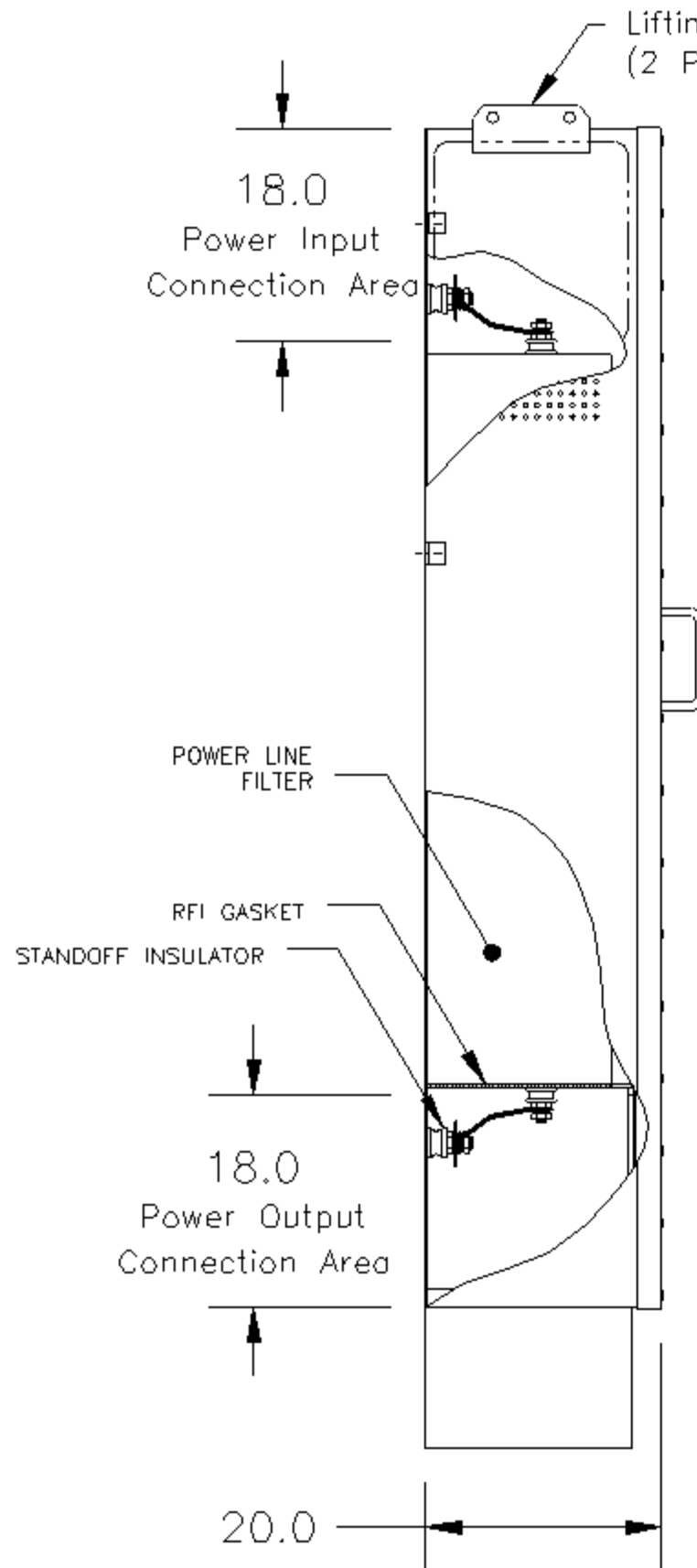
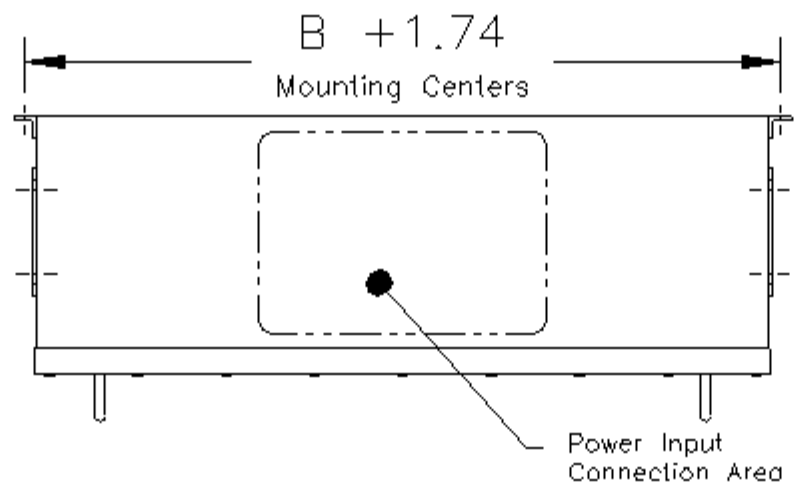
- 12. ADD SERIAL NO. WHEN REQUIRED BY CUSTOMER.
 - 11. ADDITIONAL IF LEGS ARE REQUIRED. FLOOR STANDING UNITS WITH 12 INCH LEGS ARE AVAILABLE ON REQUEST.
 - 10. .
 - 9. ENCLOSURES ARE MADE OF COLD ROLLED STEEL OF NOT LESS THAN NUMBER 14 GA, WITH WELDED SEAMS.
 - 8. ORDERING INFORMATION:
 GFP 58216 - () - () - () - ()
 _____ ADD 'L' FOR 12" LEGS
 _____ VOLTAGE RATING PER TABLE II
 _____ CURRENT RATING PER TABLE I
 _____ NUMBER OF FILTERS
 _____ BASIC PART NUMBER
 - 7. REMOVABLE COVER PROTECTED WITH WEATHER GASKET ALONG THE INSIDE PERIMETER.
 - 6. MFG.'S DATE CODE: XX = YEAR, YY = WEEK
 - 5. FILTERS CONFORM TO UL1283 AS APPLICABLE.
 - 4. FILTERS CONFORM TO MIL-F-15733 AS APPLICABLE.
 - 3. PANELS FURNISHED WITHOUT CONDUIT HUBS OR KNOCKOUTS. (AVAILABLE ON REQUEST)
 - 2. FILTER ASSEMBLY INSERTION LOSS => 100DB FROM 14KHZ TO 10GHZ WHEN MEASURED PER MIL-STD-220A UNDER RATED LOAD WITH MODIFIED EXTENDED BUFFER NETWORK.
 - 1. FINISH: GRAY ENAMEL PAINT
- NOTES : UNLESS OTHERWISE SPECIFIED

UNLESS OTHERWISE SPECIFIED		DRAWN	RICH ARSEY	DATE	11/15/02		FILTER DIVISION SAN DIEGO, CA
TOLERANCES		CHECK					TITLE
FRAC.	DECIMALS	ANGLES	APPR.				
1/16"	0.001"	1/16°	APPR.				
MATERIAL:		RELEASE					
See Note 8		DWG. NO.	07294	DWG. NO.	057-5821-6XX		
NEW ASSY	USED ON	DWG. NO.		DWG. NO.			
APPLICATION		DWG. NO.		DWG. NO.			

POWER LINE PANEL FILTER

GFP 58216 SERIES

TABLE I			
NUMBER of CONDUCTORS & CURRENT RATING	A (Inches)	B (Inches)	APPROX. WT. (LBS.)
2X 300 to 400 AMPS	100.0	21.0	900
3X 300 to 400 AMPS	100.0	30.0	1600
4X 300 to 400 AMPS	100.0	39.0	1850
2X 600 to 800 AMPS	100.0	39.0	1850
3X 600 to 800 AMPS	100.0	57.0	2300
4X 600 to 800 AMPS	100.0	72.0	3000



--SEE SHEET 4 --
 NOTES : UNLESS OTHERWISE SPECIFIED

UNLESS OTHERWISE SPECIFIED		DATE	11/12/02	GENISCO FILTER CORPORATION SAN DIEGO, CA
DRAWN		BY	ASPEY	
CHECK		DATE		
TOLERANCES		FRAC.	DECIMALS	ANGLES
FRACTIONAL		±	±	±
MATERIAL		RELEASE	OLD DRAWING NUMBER	
NEXT ASSY. USED ON		APPLICATION	See Note 8	
TITLE		FILTER PANEL POWER LINE		
SIZE	DATE	REV. NO.	DWG. NO.	REV.
B	07294	057-5821-6XX		
SCALE		SHEET 3 of 4		

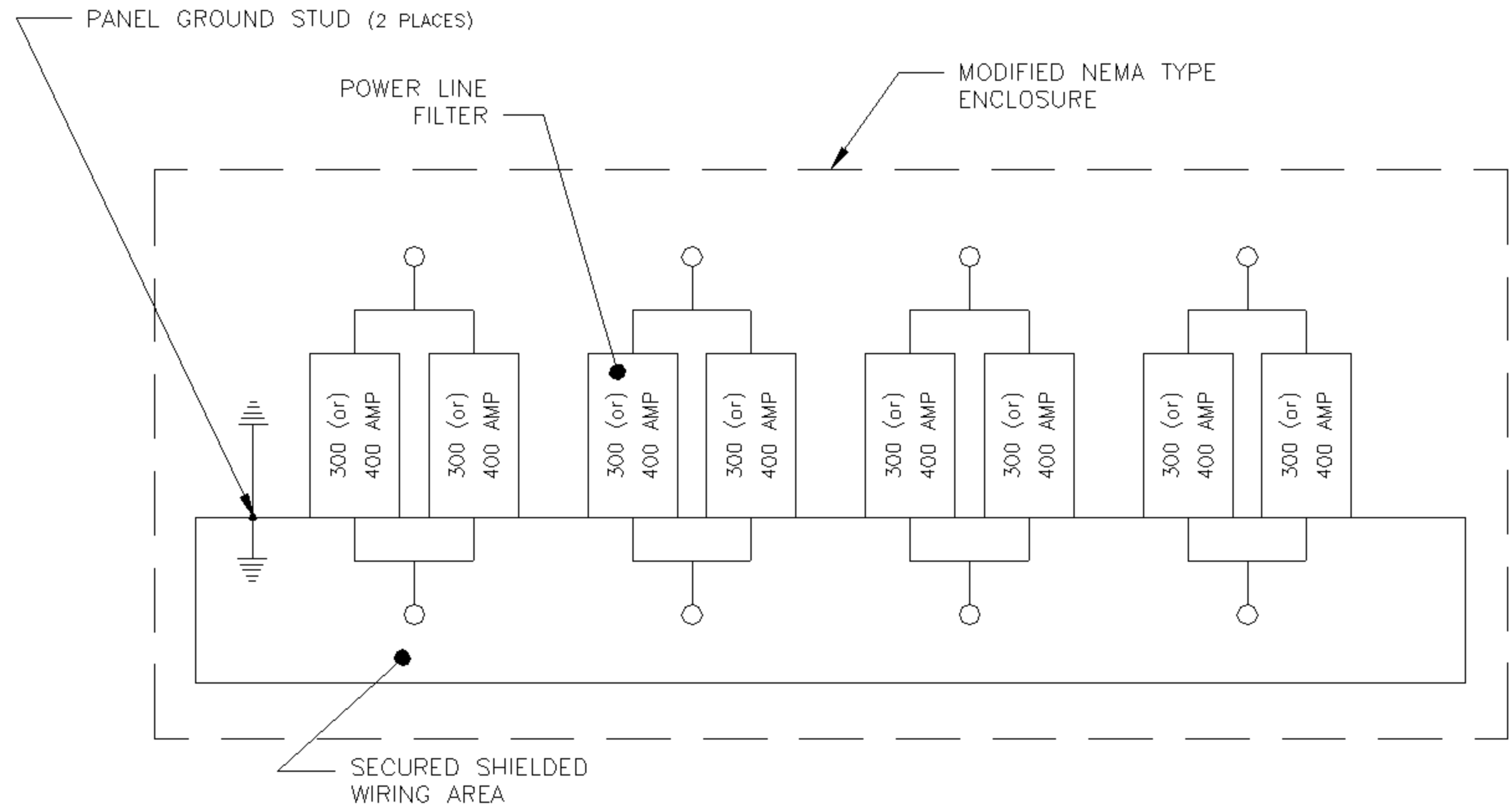
POWER LINE PANEL FILTER

GFP 58216 SERIES

REV	DESCRIPTION	DATE	APPROVED

TABLE II VOLTAGE RATING	
A	100 VOLTS
B	120/208 VAC 60HZ
C	120/208 VAC 400HZ
D	277/480 VAC 60HZ
E	277/480 VAC 400HZ

- 14. BUS BAR NOT PROVIDED ON 300 & 400 AMP FILTER PANEL.
 - 13. 800 AMP PANELS USE 2 EACH 400 AMP FILTERS IN PARALLEL PER CONDUCTOR.
600 AMP PANELS USE 2 EACH 300 AMP FILTERS IN PARALLEL PER CONDUCTOR.
 - 12. ADD SERIAL NO. WHEN REQUIRED BY CUSTOMER.
 - 11. PANELS OF 300 AMPS & HIGHER WILL HAVE LEGS UNLESS OTHERWISE STATED ON PURCHASE ORDER.
 - 10. .
 - 9. ENCLOSURES ARE MADE OF COLD ROLLED STEEL OF NOT LESS THAN NUMBER 14 GA, WITH WELDED SEAMS.
 - 8. ORDERING INFORMATION:
GFP 58216 - () - () - () - ()
 - ADD 'L' FOR 12" LEGS
 - VOLTAGE RATING PER TABLE II
 - CURRENT RATING PER TABLE I
 - NUMBER OF FILTERS
 - BASIC PART NUMBER
 - 7. REMOVABLE COVER PROTECTED WITH WEATHER GASKET ALONG THE INSIDE PERIMETER.
 - 6. MFG.'S DATE CODE: XX = YEAR, YY = WEEK
 - 5. FILTERS CONFORM TO UL128.3 AS APPLICABLE.
 - 4. FILTERS CONFORM TO MIL-F-15733 AS APPLICABLE.
 - 3. PANELS FURNISHED WITHOUT CONDUIT HUBS OR KNOCKOUTS. (AVAILABLE ON REQUEST)
 - 2. FILTER ASSEMBLY INSERTION LOSS => 100DB FROM 14KHZ TO 10GHZ WHEN MEASURED PER MIL-STD-220A UNDER RATED LOAD WITH MODIFIED EXTENDED BUFFER NETWORK.
 - 1. FINISH: GRAY ENAMEL PAINT
- NOTES : UNLESS OTHERWISE SPECIFIED



TYPICAL SCHEMATIC FOR 4X 600 & 4X 800 AMP 13

UNLESS OTHERWISE SPECIFIED		DESIGN	DATE		FILTER GENISCO CORPORATION SAN DIEGO, CA
TOLERANCES		BY	11/12/02		TITLE FILTER PANEL POWER LINE
FRAC	DECIMALS	ANGLES			
+/-	.XX	1/16			
MATERIAL:		RELEASE			
See Note 8		OLD DRAWING NUMBER			
NEXT ASSY	USED ON	APPLICATION			
				SIZE CODE IDENT NO. DIV. NO. B 07294 057-5821-6XX	REV. -
				SCALE: NONE	SHEET 4 of 4

POWER LINE PANEL FILTER

GFP 58216 SERIES