

EMI Powerline Filter Panel

Series GFP 58216

5 to 800 AMPS
2, 3, 4 & 5 Wire Configurations

APPLICABLE SPECIFICATIONS

MIL-F-15733	General specifications for filters, military
MIL-STD-202	Test methods for component parts, military
MIL-STD-220	Test method of insertion loss as applicable
Or CISPR17	
NFPA 70-1987	National Electrical Code, standards
UL1283	Underwriters Lab filter requirements

FUNCTIONAL CHARACTERISTICS

Voltage Rating:	120/208 VAC (50/60, 400 Hz) 277/480 VAC (50/60, 400 Hz)
Voltage Drop:	1% maximum at full rated unity power factor load
Current Rating:	5 to 800 Amps (Dependent on filter part number)
Current Overload:	150% maximum current rating for 15 minutes maximum
Leakage Current:	Dependent on filter rating
Temperature:	-10 C to +85C
Insertion Loss:	(see Figure 1) 50 Ohm System
Dielectric With- standing voltage: Insulation	2200 VDC minimum per UL1283
Resistance:	IAW MIL-F-15733 (prior to installation of discharge circuits)

OPTIONS

- EMP Protection: Externally mounted MOV
- Legs 12 inch standard
- Power Factor Correction Coils for 400 Hz UL Listed Filters
- Hub and Fitting Installations

CASE ASSEMBLY

- UL Listed Filter panel assembly
- Enclosed terminations, both end
- Multi-circuit configuration
- 100 dB series insertion loss to 10GHz
- Filter assemblies inspected per Group A of MIL-F-15733 as applicable
- Welded and soldered seams for shielding effectiveness
- Discharge circuits (bleeder resistors) to reduce shock hazard
- Case material CRS of not less than 14 gauge
- Weather tight outer panel cover
- RF tight removable inner covers
- Prewired standoffs and lugs

EMI Powerline Filter Panel

Series GFP 58216

Insertion Loss (50 Ohm System)

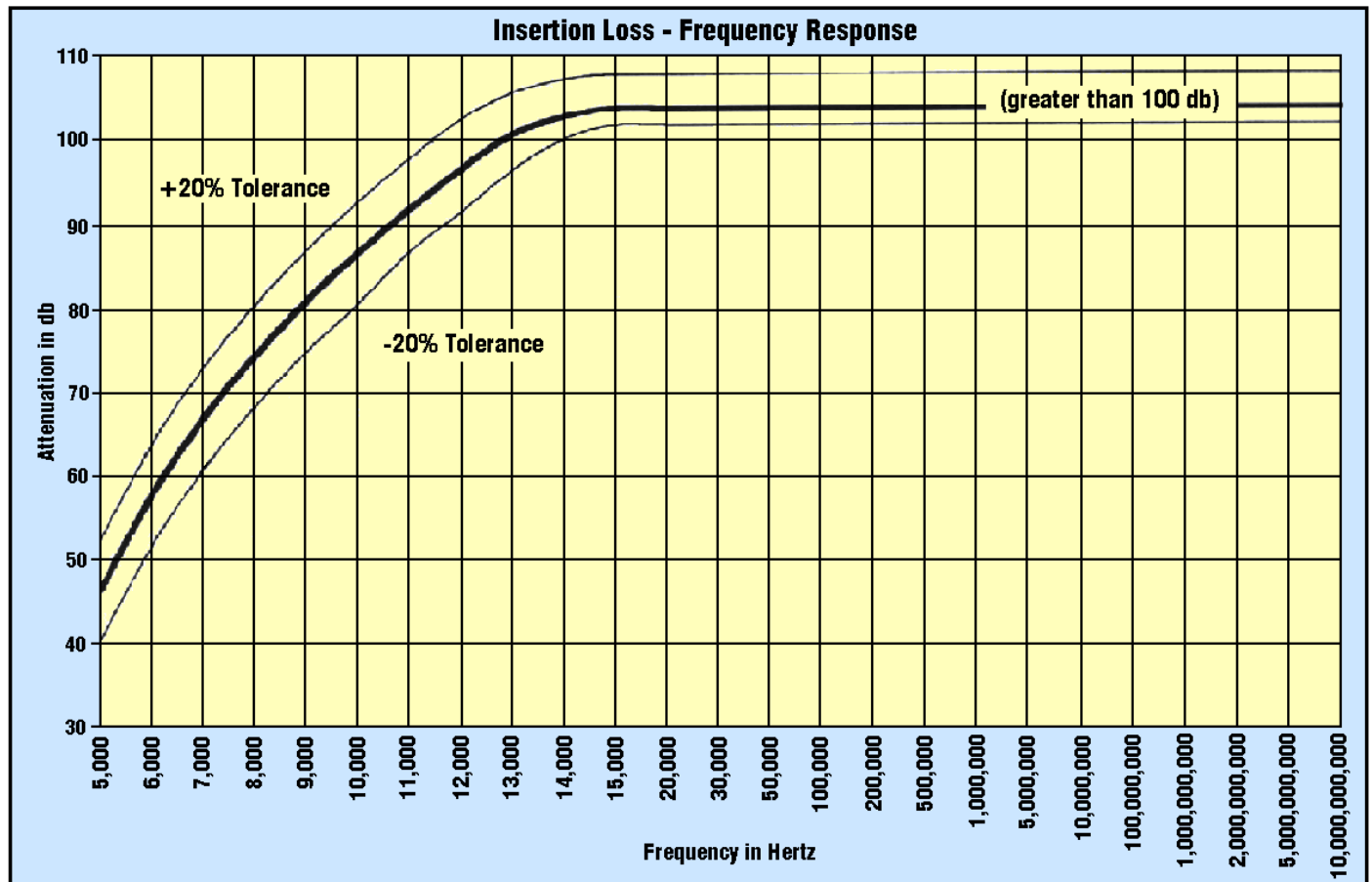
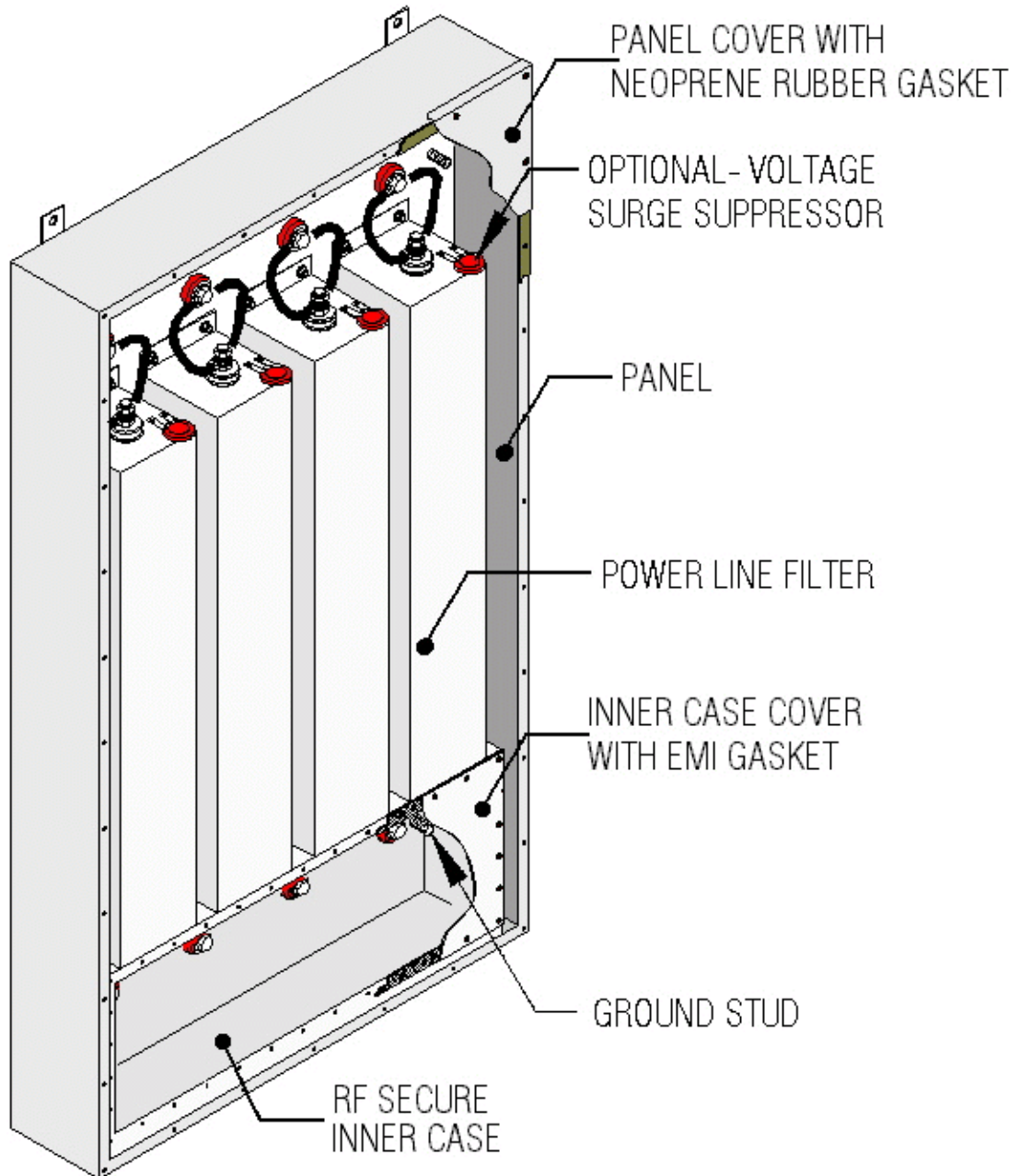


Figure 1

EMI Powerline Filter Panel

Series GFP 58216



Typical Assembly Details

Figure 2

EMI Powerline Filter Panel

Series GFP 58216

Case Sizes 2X5 thru 5X250

Outline Dimensions (Inches) See Figures 3 & 4

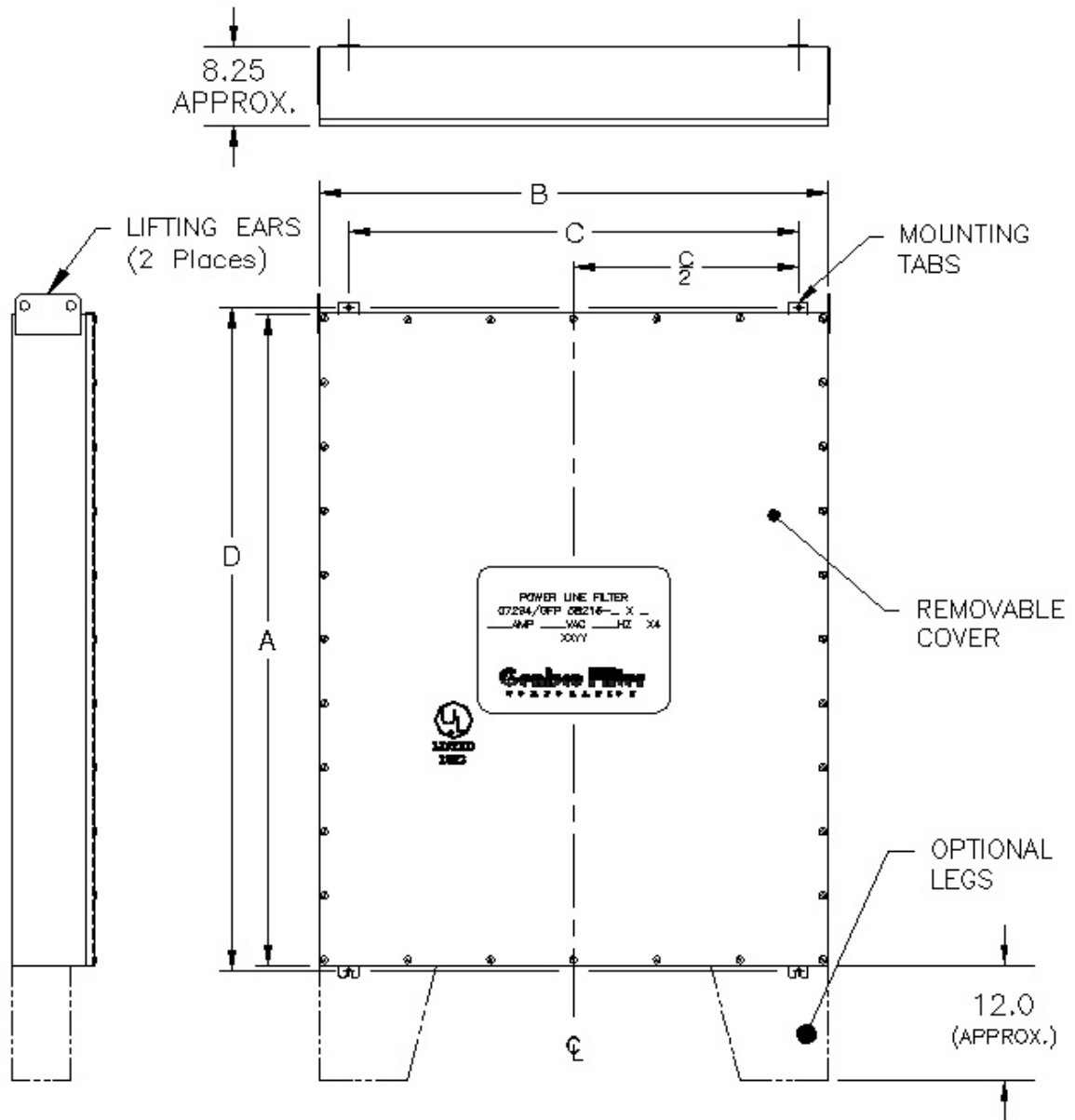


Figure 3

EMI Powerline Filter Panel

Series GFP 58216

Case Sizes 2X5 thru 5X250

Outline Dimensions (Inches)

TABLE I					
NUMBER of CONDUCTORS & CURRENT RATING	A (inches)	B (inches)	C (inches)	D (inches)	APPROX. WT. (lbs)
2X 5 to 30 AMP	46.0	12.0	6.00	47.25	190
3X 5 to 30 AMP	46.0	18.0	12.00	47.25	240
4X 5 to 30 AMP	46.0	23.0	17.00	47.25	330
5X 5 to 30 AMP	46.0	29.0	23.00	47.25	430
2X 50 to 60 AMP	50.0	12.0	6.00	51.25	220
3X 50 to 60 AMP	50.0	18.0	12.00	51.25	320
4X 50 to 60 AMP	50.0	23.0	17.00	51.25	420
5X 50 to 60 AMP	50.0	29.0	23.00	51.25	520
2X 100 AMP	50.0	16.0	10.00	51.25	230
3X 100 AMP	50.0	24.0	18.00	51.25	420
4X 100 AMP	50.0	31.0	25.00	51.25	510
5X 100 AMP	50.0	39.0	33.00	51.25	680
2X 150 AMP	50.0	16.0	10.00	51.25	280
3X 150 AMP	50.0	24.0	18.00	51.25	480
4X 150 AMP	50.0	31.0	25.00	51.25	570
5X 150 AMP	50.0	39.0	33.00	51.25	730
2X 200 to 250 AMP	72.0	22.0	16.00	73.25	650
3X 200 to 250 AMP	72.0	32.0	26.00	73.25	930
4X 200 to 250 AMP	72.0	42.0	36.00	73.25	1150
5X 200 to 250 AMP	72.0	52.0	46.00	73.25	1500

Figure 4

EMI Powerline Filter Panel

Series GFP 58216

Case Sizes 2X300 thru 4X800

Outline Dimensions (Inches) See Figures 5 & 6

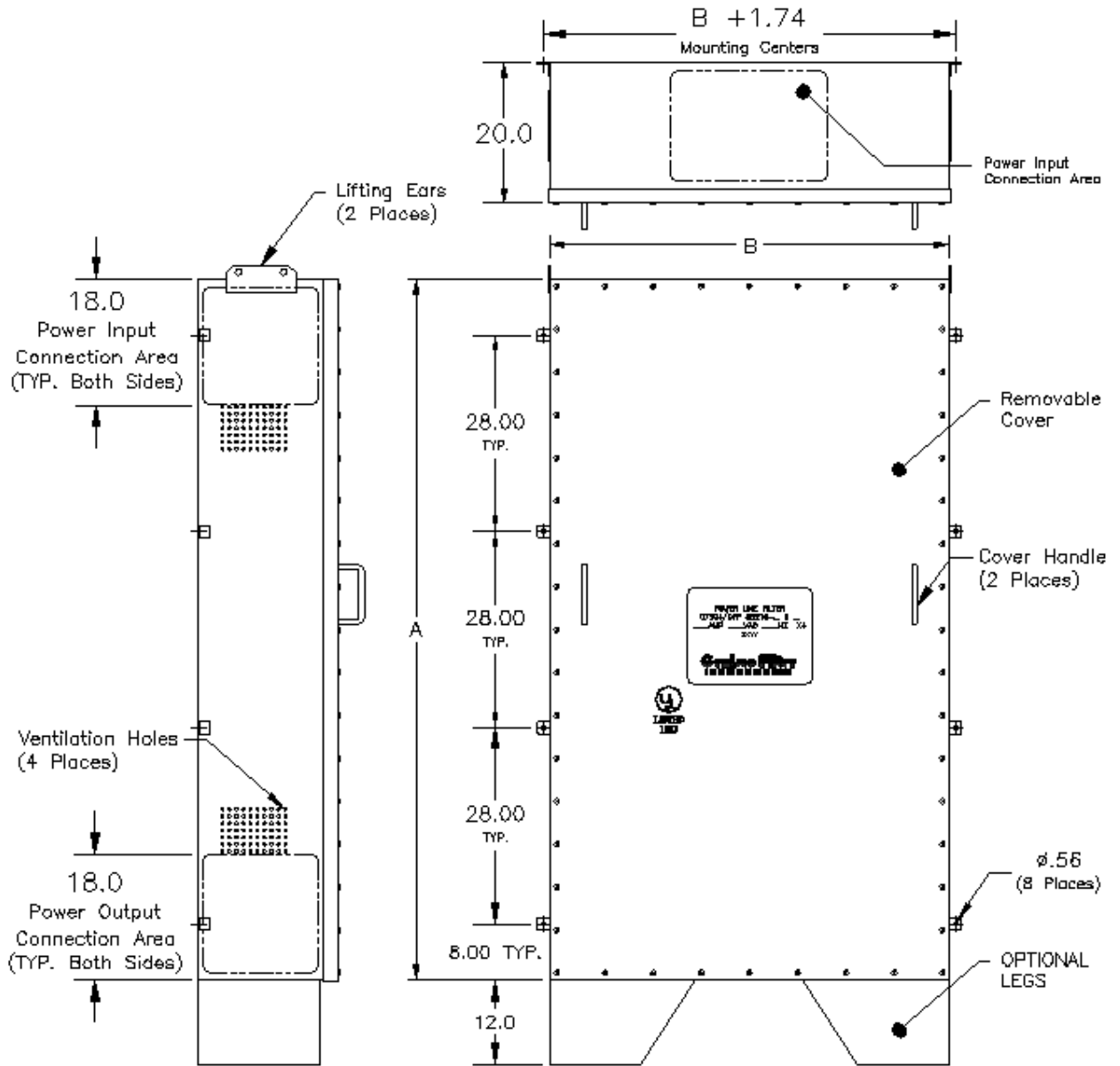


Figure 5

EMI Powerline Filter Panel

Series GFP 58216

Case Sizes 2X300 thru 4X800

Outline Dimensions (Inches)

TABLE II			
NUMBER of CONDUCTORS & CURRENT RATING	A (inches)	B (inches)	APPROX. WT. (lbs)
2X 300 to 400 AMP	100.0	21.0	900
3X 300 to 400 AMP	100.0	30.0	1600
4X 300 to 400 AMP	100.0	39.0	1850
2X 600 to 800 AMP	100.0	39.0	1850
3X 600 to 800 AMP	100.0	57.0	2300
4X 600 to 800 AMP	100.0	72.0	3000

Figure 6

SIMPLIFIED FILTER SCHEMATIC (per WIRE)

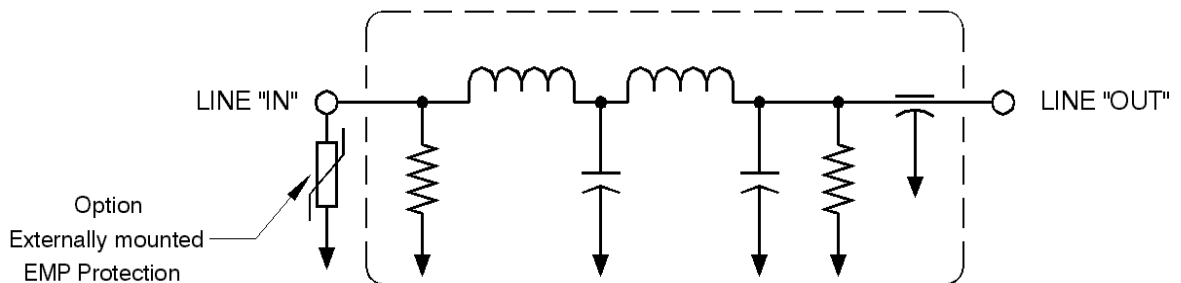
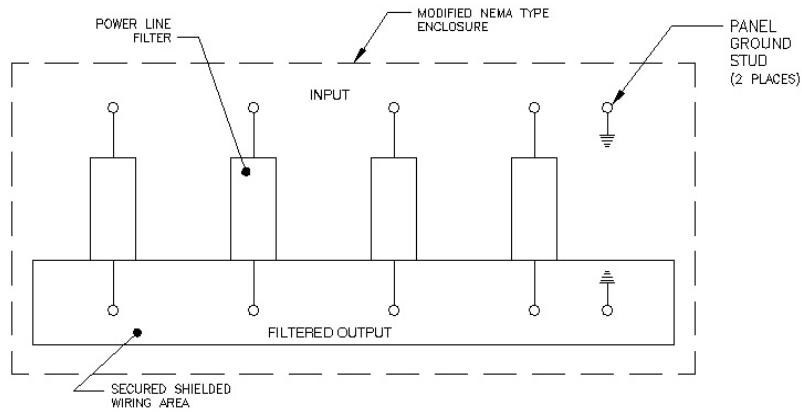


Figure 7

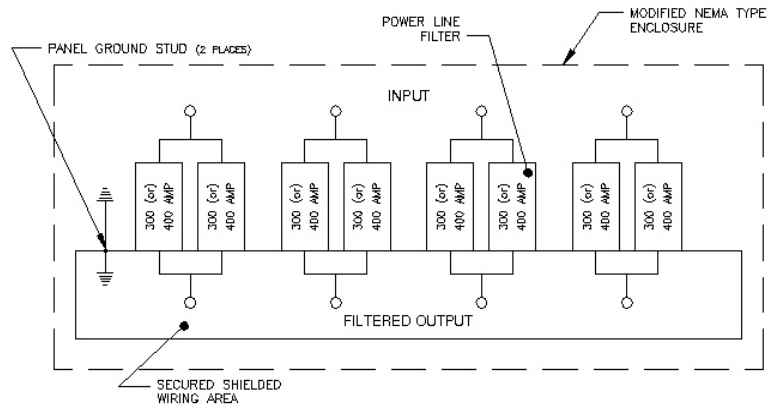
EMI Powerline Filter Panel Series GFP 58216

Typical Wiring Diagram



TYPICAL WIRING FOR 4X 5 THRU 4X 225 AMP

Figure 8



TYPICAL WIRING

FOR 4X 600 & 4X 800 AMP

Figure 9

EMI Powerline Filter Panel

Series GFP 58216

Ordering Information

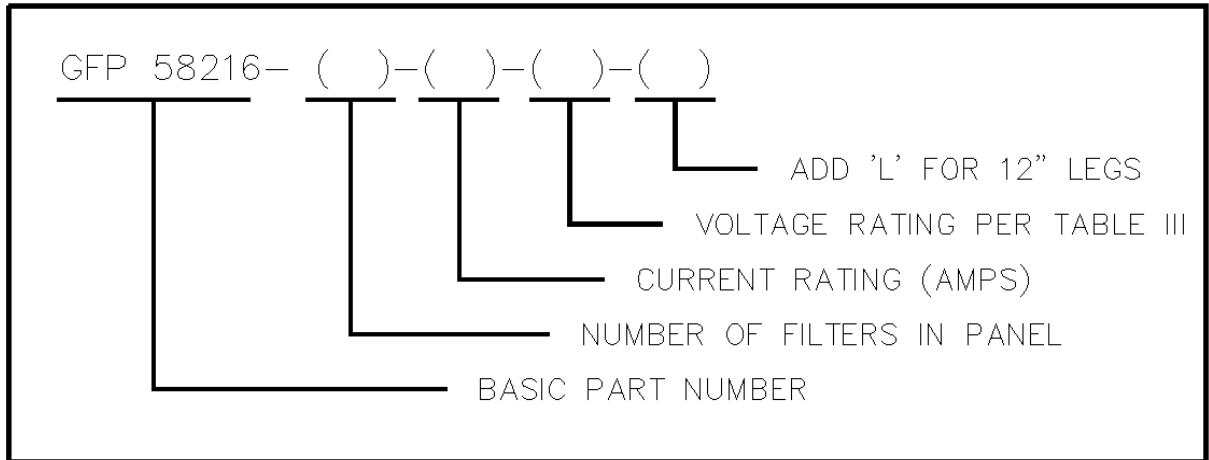


Figure 10

TABLE III	
VOLTAGE RATING	
A	100 VOLTS
B	120/208 VAC 50/60 Hz.
C	120/208 VAC 400 Hz.
D	277/480 VAC 50/60 Hz.
E	277/480 VAC 400 Hz.

Figure 11