

Part Number	Current in Amperes	Voltage Rating		Typ. Insertion loss at 150 kHz	Figure	LENGHT L	DIAMETER D	TERMINAL DIMENSIONS				Nominal Weight in LBS
		AC	DC					A	Z	B THD	C THD	
GF4200-1	0.5	30	100	65 DB	1	2.62	0.67	0.34	0.250	N/A	7/16-24	0.069
GF4200-2	0.5	120	400	60 DB	1	2.75	0.67	0.34	0.250	N/A	7/16-24	0.07
GF4200-3	0.5	250	600	60 DB	1	2.87	0.87	0.34	0.250	N/A	7/16-24	0.13
GF4200-4	1	30	100	60 DB	1	2.75	0.67	0.34	0.250	N/A	7/16-24	0.07
GF4200-5	1	120	400	60 DB	1	2.87	1.00	0.50	0.370	N/A	7/16-20	0.17
GF4200-6	1	250	600	60 DB	1	3.00	1.25	0.50	0.370	N/A	7/16-20	0.27
GF4200-7	2	30	100	60 DB	1	2.75	0.87	0.34	0.250	N/A	7/16-24	0.12
GF4200-8	2	120	400	60 DB	1	2.37	1.25	0.50	0.370	N/A	7/16-20	0.22
GF4200-9	2	250	600	60 DB	1	2.87	1.25	0.50	0.370	N/A	7/16-20	0.26
GF4200-10	5	30	100	60 DB	1	2.75	1.50	0.50	0.370	N/A	7/16-20	0.34
GF4200-11	5	120	400	60 DB	1	3.00	1.50	0.50	0.370	N/A	7/16-20	0.40
GF4200-12	5	250	600	60 DB	1	3.75	1.50	0.68	0.658	N/A	7/16-20	0.5
GF4200-13	10	30	100	60 DB	1	3.00	1.50	0.68	0.658	N/A	7/16-20	0.4
GF4200-14	10	120	400	60 DB	1	3.50	1.50	0.68	0.658	N/A	7/16-20	0.46
GF4200-15	10	250	600	60 DB	1	3.75	1.75	0.68	0.658	N/A	7/16-20	0.7
GF4200-16	15	30	100	60 DB	2	3.12	1.75	0.68	0.658	8-32	7/16-20	0.6
GF4200-17	15	120	400	60 DB	2	3.50	1.75	0.68	0.658	8-32	7/16-20	0.5
GF4200-18	15	250	600	60 DB	2	3.75	1.75	0.68	0.658	8-32	7/16-20	0.7
GF4200-19	20	30	100	60 DB	2	3.50	1.75	0.68	0.658	10-32	7/16-20	0.46
GF4200-20	20	120	400	60 DB	2	3.75	1.75	0.68	0.658	10-32	7/16-20	0.7
GF4200-21	20	250	600	60 DB	2	4.00	1.75	0.68	0.658	10-32	7/16-20	0.72
GF4200-22	30	30	100	60 DB	2	3.75	1.75	0.68	0.658	10-32	7/16-20	0.7
GF4200-23	30	120	400	60 DB	2	4.00	1.75	0.68	0.658	10-32	7/16-20	0.72
GF4200-24	30	250	600	60 DB	2	4.25	1.75	0.68	0.658	10-32	7/16-20	0.8
GF4200-25	50	30	100	55 DB	2	3.50	2.48	0.75	1.055	1/2-28	1 1/8-18	1.2
GF4200-26	50	120	400	55 DB	2	5.00	2.48	0.75	1.055	1/2-28	1 1/8-18	1.8
GF4200-27	50	250	600	55 DB	2	5.25	2.48	0.75	1.055	1/2-28	1 1/8-18	1.9

- 9. Fill in the the Parenthesis in the Stamping Layout with the appropriate Tabulated Information
 - 8. Add Customer PART NO. &/or Federal Stock Number when Required
 - 7. FINISH: Electro Tin Plated
 - 6. All Units are Suitable for Use of DC, 60Hz or 400Hz
 - 5. Dielectric Strength Equals Twice the Rated DC Voltage
 - 4. Insulation Resistance for All Units Exceed the Requirements of MIL-F-15733
 - 3. Temperature Rating on all Units is from -55°C to +85°C Maximum Temperature Rise is 20°C
 - 2. Tabulated Insertion Loss Data indicates Performance of the Filter measured in Accordance with MIL-STD-220
 - 1. These Filter are Designed & Manufactured in Accordance with MIL-F-15733
- NOTES : UNLESS OTHERWISE SPECIFIED

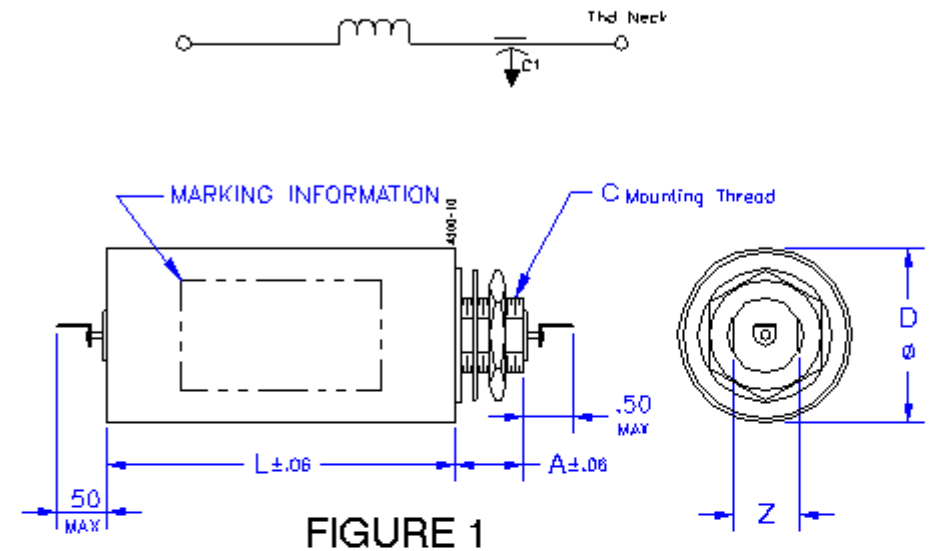
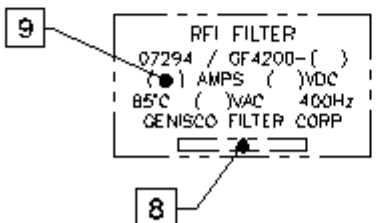


FIGURE 1

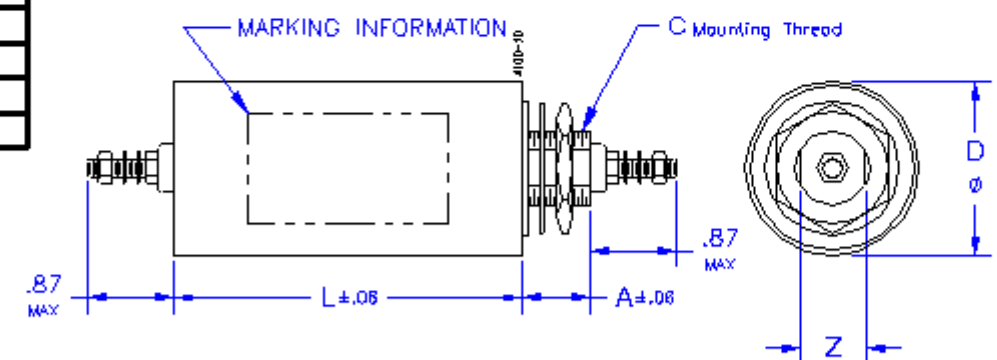


FIGURE 2

UNLESS OTHERWISE SPECIFIED ALL DIMENSIONS ARE IN INCHES		DECIMAL TOL V ± .1 VV ± .05 VVV ± .010	ANGULAR TOL ± 0° 30' FRACTIONS ± 1/16	DRAWN: RICH ASKEY CHECKED: APPR.: RELEASE: NEW ASSY / USED QTY APPLICATION:	DATE: 10/15/01 GENISCO FILTER CORPORATION TITLE: FILTER, RFI SIZE: B DATE: 07294 DWG NO.: 055-4200-XXX SCALE: NONE SHEET: 1 of 1	DESIGN: FILTER LOCATION: SAN DIEGO, CA REV: G
---	--	---	--	--	---	---

POWER LINE FILTER

GF 4200 SERIES