

EMI General Communication Filter

GF 58270-14

GENERAL

Dual Circuit Communication Filter

APPLICABLE SPECIFICATIONS

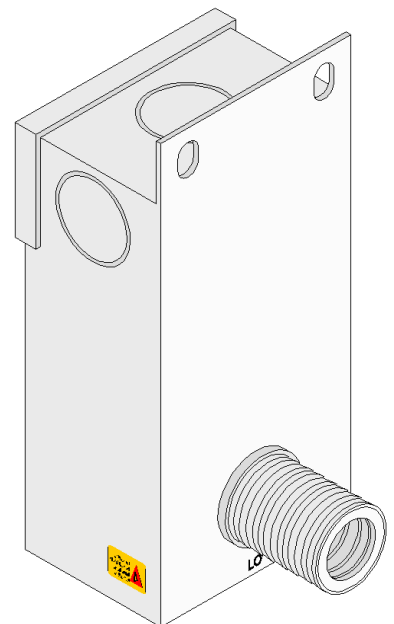
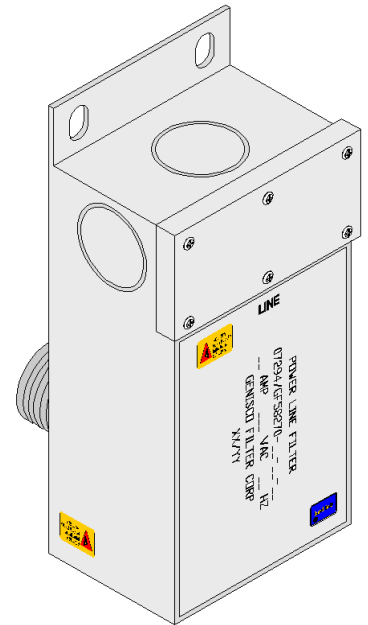
MIL-F-15733 General specifications for filters, military
MIL-STD-202 Test methods for component parts, military
MIL-STD-220 Test method of insertion loss as applicable
Or CISPR17

FUNCTIONAL CHARACTERISTICS

Voltage Rating:	400 VDC
Voltage Drop:	2% maximum at full rated unity power factor load
Current Rating:	1.0 Amp
Current Overload:	140% maximum current rating for 15 minutes maximum
Temperature:	-10 C to +85C
Insertion Loss:	≥ 100 dB (See Figure 1)
Impedance:	Table 1
Dielectric With- standing voltage:	2 X rated voltage
Insulation Resistance:	IAW MIL-F-15733 (prior to installation of discharge circuits)

CASE ASSEMBLY

- Enclosed terminations, input end
- Pigtail terminations, filtered output end
- Multi-circuit configurations
- 100 dB series insertion loss to 10GHz
- Filter assemblies inspected per Group A of MIL-F-15733 as applicable
- Welded and soldered seams for shielding effectiveness
- Discharge circuits (bleeder resistors) to reduce shock hazard
- Case material CRS, 16 gauge
- Prewired standoffs and lugs



EMI General Communication Filter

Series GF 58270-14

Table 1

Part No.	GF 58270-14
Impedance: Line to Line	76 Ω
Impedance: Line to Ground	38 Ω
Voltage Max.	400 VDC
Current Max.	1.0 Amp
DC Resistance	$\leq 1.0 \Omega$
Passband	0-6 KHZ
Insertion Loss	≥ 100 dB
(per MIL-STD-220)	50KHz. to 10GHz.

EMI General Communication Filter

Series GF 58270-14

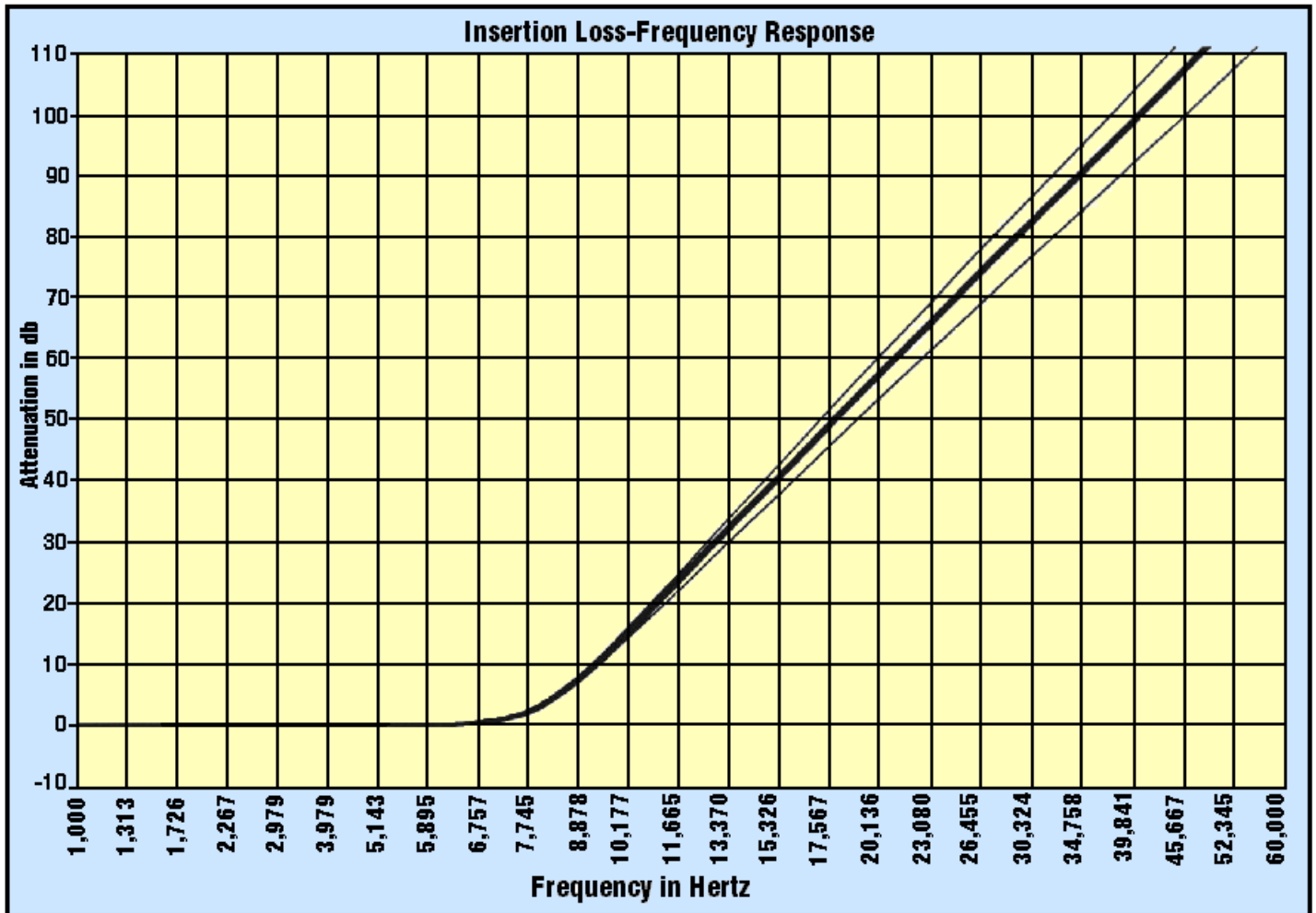


Figure 1

EMI General Communication Filter

Series GF 58270-14

Outline Dimensions (Inches)

Part No.	A	B	C
GF 58270-14	9.0	3.5	2.5

