

EMI Powerline Filters

GF 57915 - 2 X 30D

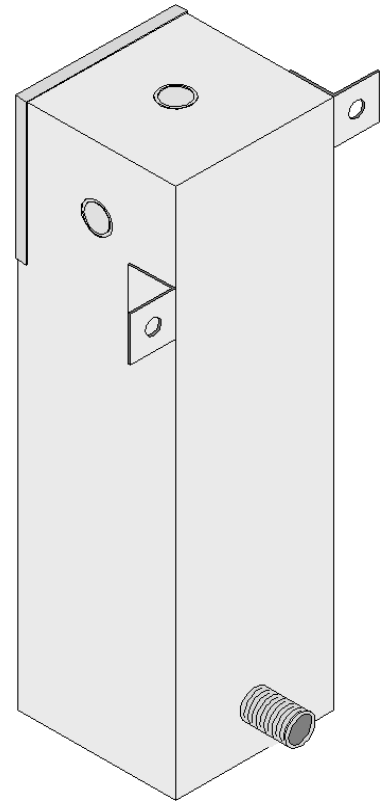
30 AMPS

APPLICABLE SPECIFICATIONS

MIL-F-15733 General specifications for filters, military
MIL-STD-202 Test methods for component parts, military
MIL-STD-220 Test method of insertion loss as applicable
Or CISPR17

FUNCTIONAL CHARACTERISTICS

Voltage Rating: 277/480 VAC (50/60 Hz)
Voltage Drop: 2% maximum at full rated unity power factor load
Current Rating: 30 Amps
Current Overload: 140% maximum current rating for 15 minutes maximum
Temperature: -10 C to +85C
Insertion Loss: (see Figure 1) 50 Ohm System
Dielectric With-
standing voltage: 2 X rated voltage
Insulation
Resistance: IAW MIL-F-15733 (prior to installation of discharge circuits)



CASE ASSEMBLY

- Enclosed terminations, input end
- Pigtail terminations, filtered output end
- Multi-circuit configurations
- 100 dB series insertion loss to 10GHz
- Filter assemblies inspected per Group A of MIL-F-15733 as applicable
- Welded and soldered seams for shielding effectiveness
- Discharge circuits (bleeder resistors) to reduce shock hazard
- Case material CRS
- RF tight removable covers
- Prewired standoffs and lugs

EMI Powerline Filters
GF 57915 - 2 X 30D

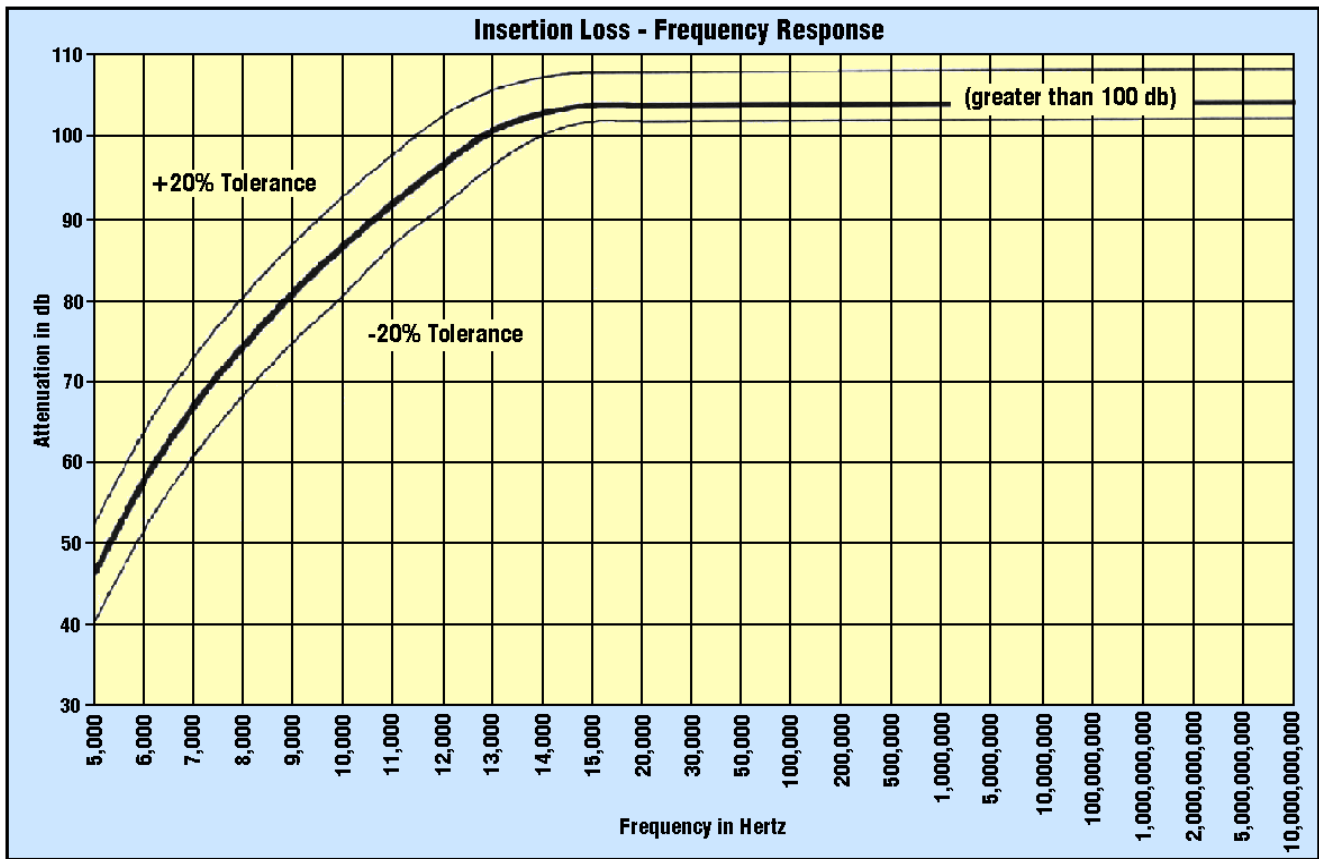
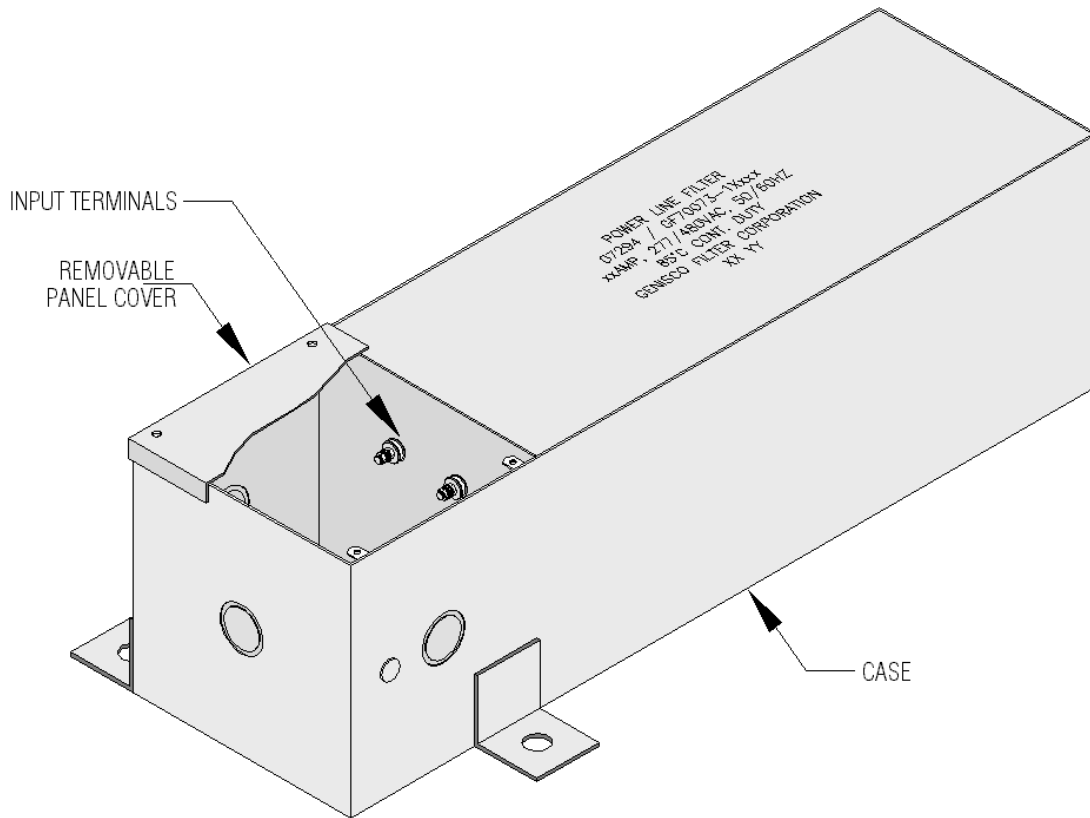


Figure 1

EMI Powerline Filters

GF 57915 - 2 X 30D



Typical Assembly Details

EMI Powerline Filters

GF 57915 - 2 X 30D

Outline Dimensions (Inches)

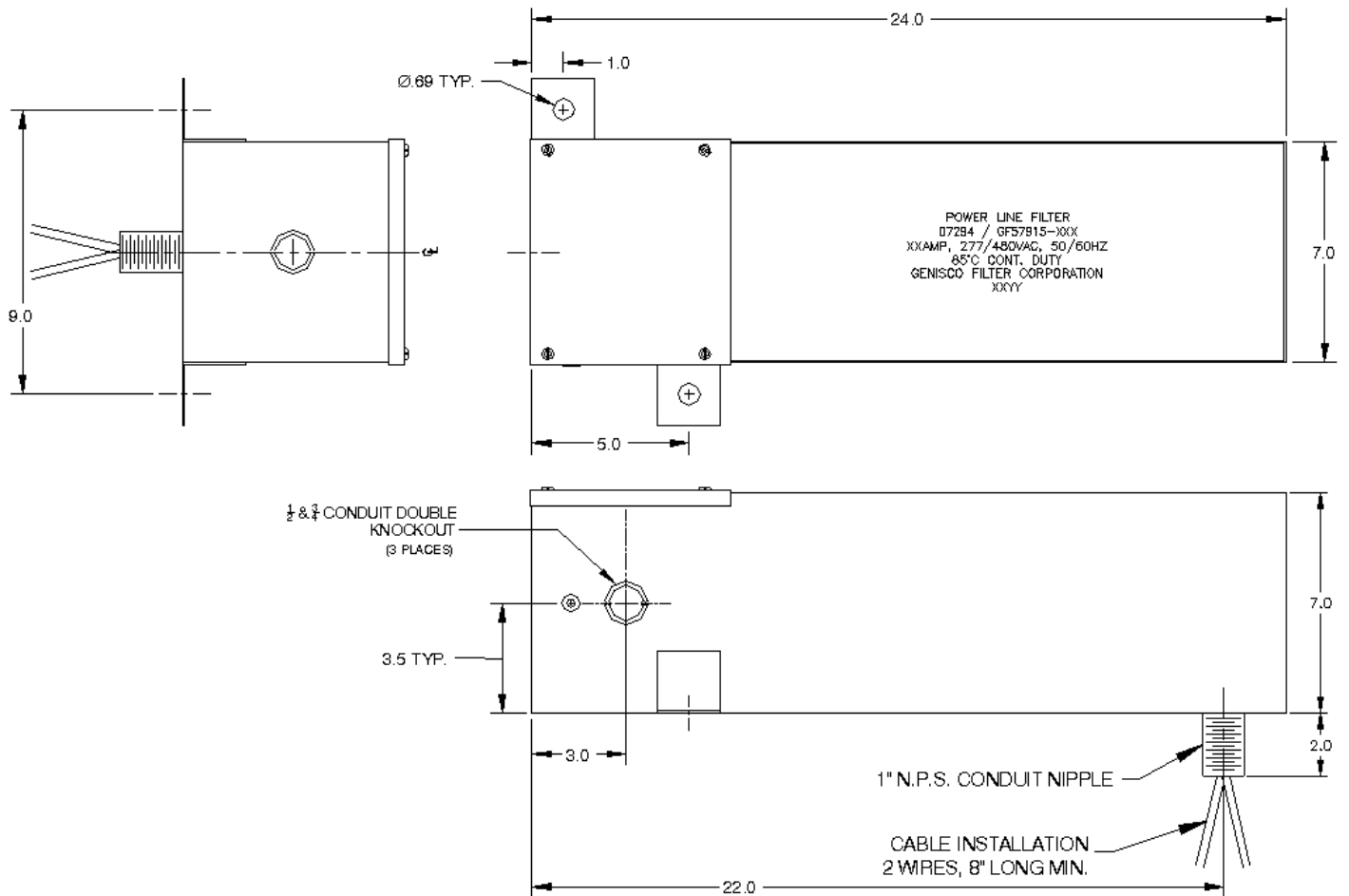


Figure 2