



PRODUCT DETAIL

To contact us-
Call: (858) 565-7405
Email: sales@genisco.com

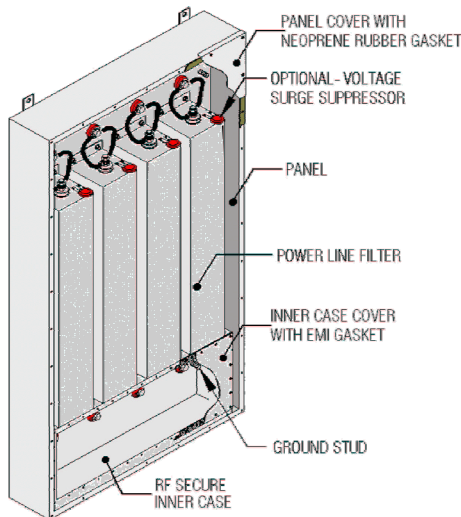
Facility Power Line Filters-

Inductive Input

GFP68216 100dB Series
GFP68231 60dB Series

Product Summary

EMI/RFI facility filters rated up to 100 dB are used on secure installations to prevent unwanted signals and interference from entering or exiting.



Construction Detail- Facility Panel

Functional Characteristics

- Voltage Rating:
24-1,000 Vdc, 120/208 Vac (50/60, 400 Hz), 277/480 Vac, (50/60 Hz)
- Voltage Drop:
2% maximum at full rated unity power factor load.
- Harmonic Distortion:
4% maximum at full rated unity power factor load
- Temperature Rating:
MIL-PRF-15733 and UL1283
- Current Overload:
140% maximum current rating (15 minutes)
- RF Radiation:
Greater than 100 dB isolation
- Dielectric Withstanding Voltage:
2,200 Vdc (Prior to installation of discharge ckts)
- Insulation Resistance:
MIL-PRF-15733 (w/o discharge ckts)

Special Features

Filters

- Enclosed filters mounted on an internal RF secure inner case
- 100 dB or 60 dB series Insertion Loss per MIL-STD-220A over the frequency range of 14 kHz to 10 GHz with extended range buffer network
- Manufactured and tested per the applicable portions of MIL-PRF-15733
- Hermetically sealed with welded and soldered seams for shielding effectiveness
- Bleeder resistors incorporated to eliminate potential shock hazard (Discharge ckts)

Enclosure

- Modified NEMA type fabricated panel of not less than 14 gauge cold rolled steel painted Gray
- RF tight inner area secured with RF gasket for 100 dB minimum shielding effectiveness, 14 kHz to 10 GHz, minimum
- Pre-wired standoffs and lugs
- Lifting ears included on heavier enclosures
- Front cover access to filters and standoffs

Applicable Specifications

- MIL-PRF-15733
General specifications for filters, military
- MIL-STD-202
Test methods for components parts, military
- MIL-STD-220
Test methods for insertion loss, military
- MIL-STD-285
Test method for shielding effectiveness
- NFPA 70/2011
National Electrical Code, standards

Available Options

- EMP and surge Suppressors
- HUB and Fitting Installation
- Legs (8.0 Inch Standard)
- Power Factor Correction Coils (Required for 400Hz Filters)

ORDER INFORMATION

To contact us-
Call: (858) 565-7405
Email: sales@genisco.com

Facility Filters - Inductive Input

GFP68216 100dB Series
GFP68231 60dB Series

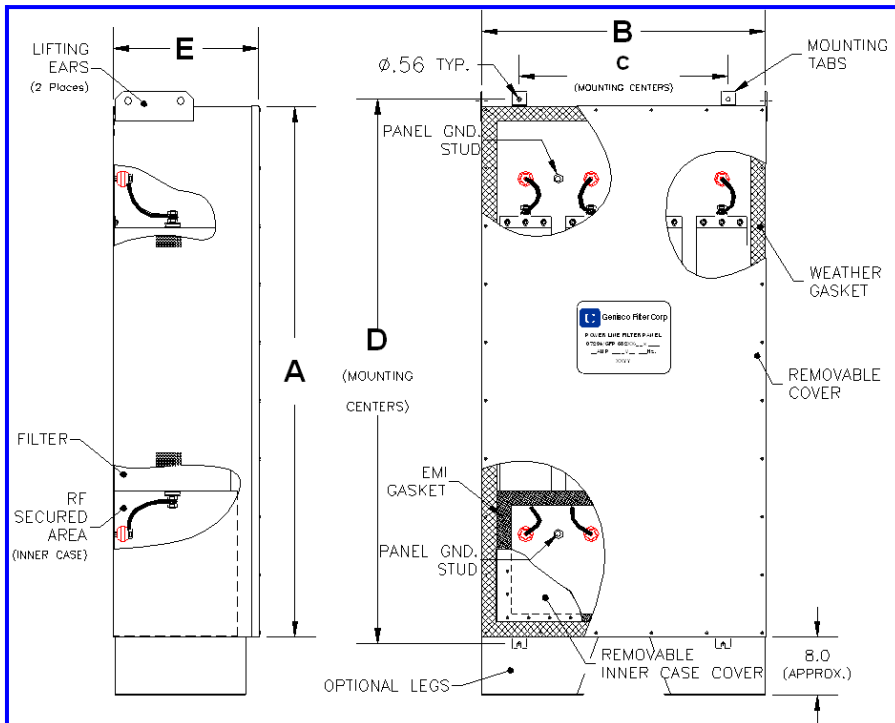
TABLE I

Qty Of Filters And Current Rating*	A	B	C	D	E	Approx Weight (lbs)
4x20 Amp to 4x30 Amp	34.0	23.0	17.00	35.5	8.25	160
3x50 Amp to 3x60 Amp 4x50 Amp to 4x60 Amp	34.5 34.5	23.5 23.5	17.00 17.00	35.5 35.5	8.25 8.25	175 210
3x100 Amp 4x100 Amp	51.0 51.0	23.5 23.5	17.00 17.00	51.25 51.25	8.25 8.25	220 300
3x150 Amp 4x150 Amp	51.0 51.0	23.5 23.5	17.00 17.00	51.25 51.25	8.25 8.25	230 310
3x200 to 3x250 Amp	51.0	31.5	25.0	51.25	8.25	555
3x300 to 3x400 Amp 4x300 to 4x400 Amp	73.0 73.0	30.0 39.0	N/A N/A	N/A N/A	22.0 22.0	1,200 1,400
3x600 to 3x800 Amp 4x600 to 4x800 Amp	100.0 100.0	39.0 39.0	N/A N/A	N/A N/A	22.0 22.0	1,500 1,600

(*) Other Circuit Configurations and Current Ratings Available Upon Request

Dimensions are in inches

Mechanical Dimensions



Ordering Information

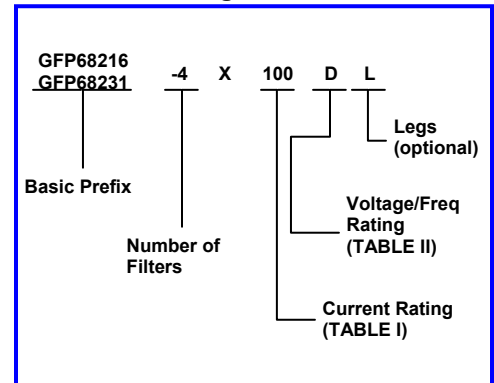


TABLE II

Voltage Rating

- A 24- 1,000 Vdc
 - B 120/208 Vac, 60Hz
 - *C 120/208 Vac, 400Hz
 - D 277/480 Vac, 60Hz
- (*)- Recommend Power Correction Coils

Specifications subject to change without notice