

PRODUCT DETAIL

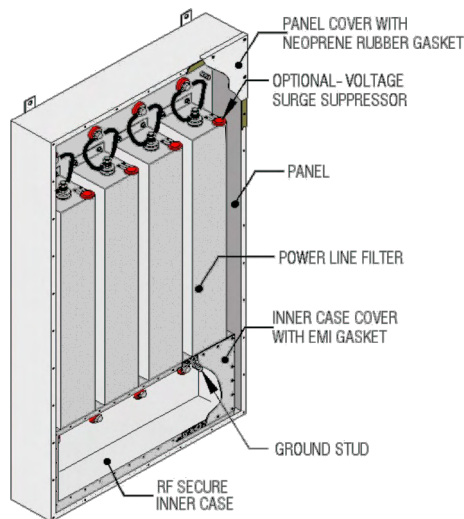
To contact us-
Call: (858) 565-7405
Email: sales@genisco.com

Facility Filters– *Inductive Input*

GFP58216 100dB Series
GFP58231 60dB Series

Product Summary

EMI/RFI facility filters specified to 100 dB are used in government and commercial installations to prevent unwanted signals and interference on power lines.



Construction Detail– Facility Panel

Functional Characteristics

- Voltage Rating:
120/208 Vac (50/60, 400 Hz), 277/480 Vac, (50/60 Hz)
- Voltage Drop:
2% maximum at full rated unity power factor load.
- Harmonic Distortion:
4% maximum at full rated unity power factor load
- Temperature Rating:
MIL-F-15733 and UL1283
- Current Overload:
140% maximum current rating
- RF Radiation:
Greater than 100 dB isolation
- Dielectric With-Standing Voltage:
2,200 Vdc
- Insulation Resistance:
MIL-F-15733 (w/o discharge ckts)

Special Features

Filters

- Enclosed terminations
- Multi-circuit
- 100 dB or 60 dB series Insertion Loss per MIL-STD-220A over the frequency range of 14 kHz to 10 GHz with extended range buffer network
- Manufactured and tested per the applicable portions of MIL-F-15733
- Hermetically sealed with welded and soldered seams for shielding effectiveness
- Bleeder resistors incorporated to eliminate potential shock hazard

Enclosure

- Modified NEMA type constructed of not less than 14 gauge cold rolled steel
- RF tight inner area secured with RF gasket for 100 dB minimum shielding effectiveness, 14 kHz to 10 GHz, minimum
- Pre-wired standoffs and lugs
- Lifting ears included on heavier enclosures
- Front cover access to filters and standoffs

Applicable Specifications

- MIL-F-15733
General specifications for filters, military
- MIL-STD-202
Test methods for components parts, military
- MIL-STD-220
Test methods for insertion loss, military
- MIL-STD-285
Test method for shielding effectiveness
- NFPA 70/1987
National Electrical Code, standards

Available Options

- EMP and surge Suppressors
- HUB and Fitting Installation
- Legs (12.0 Inch Standard)
- Power Factor Correction Coils for 400 Hz

ORDER INFORMATION

Facility Filters - Inductive Input

GFP58216 100dB Series
 GFP58231 60dB Series

TABLE I

Qty Of Filters And Current Rating	A	B	C	D	Approx Weight (lbs)
2x5 Amp to 2x10 Amp	46.0	12.0	6.00	47.25	130
3x5 Amp to 3x10 Amp	46.0	18.0	12.00	47.25	195
4x5 Amp to 4x10 Amp	46.0	23.0	17.00	47.25	250
5x5 Amp to 5x10 Amp	46.0	29.0	23.00	47.25	310
2x20 Amp to 2x30 Amp	46.0	12.0	6.00	47.25	135
3x20 Amp to 3x30 Amp	46.0	18.0	12.00	47.25	205
4x20 Amp to 4x30 Amp	46.0	23.0	17.00	47.25	260
5x20 Amp to 5x30 Amp	46.0	29.0	23.00	47.25	325
2x50 Amp to 2x60 Amp	50.0	12.0	6.00	51.25	150
3x50 Amp to 3x60 Amp	50.0	18.0	12.00	51.25	220
4x50 Amp to 4x60 Amp	50.0	23.0	17.00	51.25	260
5x50 Amp to 5x60 Amp	50.0	29.0	23.00	51.25	355
2x100 Amp	50.0	16.0	10.00	51.25	200
3x100 Amp	50.0	24.0	18.00	51.25	295
4x100 Amp	50.0	31.0	25.00	51.25	380
5x100 Amp	50.0	39.0	33.00	51.25	480
2x150 Amp	50.0	16.0	10.00	51.25	340
3x150 Amp	50.0	24.0	18.00	51.25	490
4x150 Amp	50.0	31.0	25.00	51.25	650
5x150 Amp	50.0	39.0	33.00	51.25	800
2x200 to 2x250 Amp	72.0	22.0	16.00	73.25	385
3x200 to 3x250 Amp	72.0	32.0	26.00	73.25	555
4x200 to 4x250 Amp	72.0	42.0	36.00	73.25	730
5x200 to 5x250 Amp	72.0	52.0	46.00	73.25	905
2x300 to 2x400 Amp	100.0	21.0	N/A	N/A	900
3x300 to 3x400 Amp	100.0	30.0	N/A	N/A	1,600
4x300 to 4x400 Amp	100.0	39.0	N/A	N/A	1,850
2x600 to 2x800 Amp	100.0	39.0	N/A	N/A	1,850
3x600 to 3x800 Amp	100.0	57.0	N/A	N/A	2,300
4x600 to 4x800 Amp	100.0	72.0	N/A	N/A	3,000

Dimensions are in inches

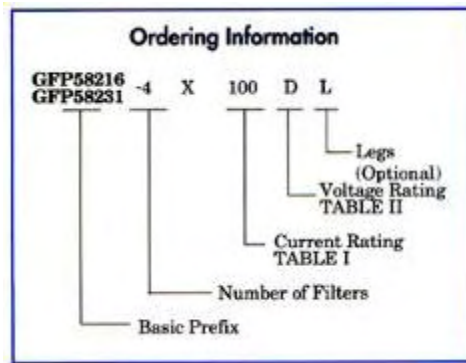
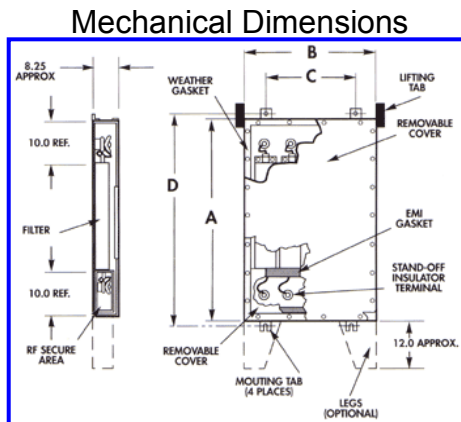


TABLE II

Voltage Rating

B 120/208 VAC, 60 Hz

* C 120/208 VAC, 400Hz

D 277/480 VAC, 60 Hz

(*)- Recommend Power Correction Coils

Specifications subject to change without notice