



## PRODUCT DETAIL

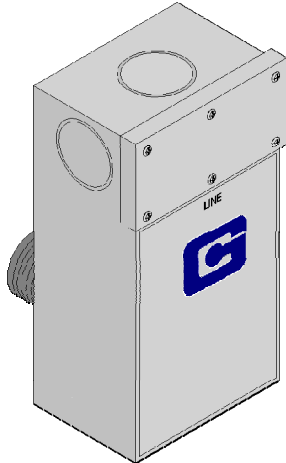
**To contact us-**

**Call: (858) 565-7405**

**Email: sales@genisco.com**

### Power Filters-

GF57915



#### Product Summary

Power filters protect and facilitate power and secure communications for shielded rooms and buildings.

#### Functional Characteristics

- Insertion Loss:  
> 100 dB from 14 kHz through 10 GHz when measured in accordance with MIL-STD-220A test procedure with extended range buffer networks
- Voltage Ratings:  
120/208 Vac (50/60,400 Hz) 277/480 Vac (50/60 Hz)
- Voltage Drop:  
2% at full rated AC (UPF) load
- Harmonic Distortion:  
4% max at full rated AC(UPF) load
- Temperature Rating:  
Per MIL-PRF-15733
- Current Overload:  
140% maximum current rating per MIL-PRF-15733
- RF Radiation:  
100 dB isolation shielding effectiveness
- Dielectric Withstanding:  
2,200 Vdc per MIL-PRF-15733
- Insulation Resistance:  
MIL-PRF-15733  
(w/o discharge ckts)
- AC Current Ratings:  
5 Amp To 225 Amp

#### Special Features

- Low cost
- Manufactured and tested to the applicable portions of MIL-PRF-15733
- Hermetically sealed with welded and soldered seams for shielding effectiveness
- Bleeder resistors incorporated to eliminate potential shock hazard
- All circuits provided in single enclosure
- Threaded steel penetration included with filter case
- Factory pre-wired lead through pipe penetration included
- Removable input cover for easy access to terminal
- Electro - Plated over cold rolled steel filter case
- Mounting tabs provided for easy wall mounting (>10 Amp Configurations)
- Double knock outs provided on filter case input
- Power Factor Correction Coils (Required for 400Hz Filters)

#### Applicable Specifications

- MIL-PRF-15733  
General specification for filters, military
- MIL- STD-202  
Test methods for component parts, military
- MIL-STD-220A  
Test method of insertion loss, military
- MIL-STD-285  
Test method of shielding effectiveness
- NFPA 70/2011  
National Electrical Code, standards

To contact us-  
Call: (858) 565-7405  
Email: sales@genisco.com

# ORDER INFORMATION

## Power Filters -

### GF57915 Series

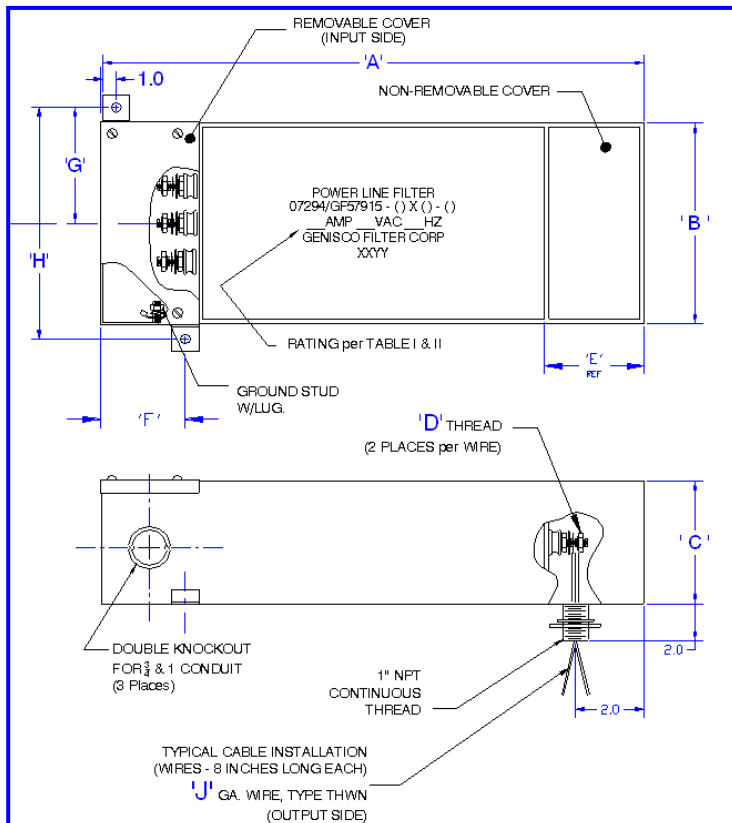
TABLE I

Number of Conductors and Current Rating*	A	B	C	D	E	F	G	H	J Wire Size (AWG)	Approx Weight (lbs)
GF57915 - 2x5Amp & 2x10Amp	9.0	3.5	4.5	1/4-20	2.25	N/A	N/A	N/A	12	32
GF57915 - 1x30Amp & 2x30Amp	24.0	7.0	5.0	1/4-20	2.7	5.00	4.75	9.5	10	40
GF57915 - 3x30Amp	24.0	10.0	7.0	1/4-20	2.7	5.0	6.0	12.0	10	50
GF57915 - 4x30Amp & 3x50Amp	24.0	14.0	7.0	1/4-20	2.7	5.0	8.0	16.0	10	75
GF57915 - 1x50Amp & 1x60Amp	24.0	4.5	7.0	1/4-20	2.7	5.0	3.25	6.5	2	35
GF57915 - 2x50Amp & 2x60Amp	34.0	9.0	7.0	1/4-20	2.7	8.0	5.5	11.0	2	60
GF57915 - 1x100Amp	34.0	9.0	7.0	3/8-16	2.7	8.0	5.5	11.0	1	55
GF57915 - 2x100Amp	34.0	9.0	7.0	3/8-16	2.7	8.0	5.5	11.0	1	90
GF57915 - 2x150Amp	34.0	9.0	7.0	3/8-16	2.7	8.0	5.5	11.0	1/0	100
GF57915 - 1x225 Amp	41.0	8.0	8.0	3/8-16	2.7	9.5	5.0	10.0	2/0	100

(\* ) Other Circuit Configurations and Current Ratings Available Upon Request

Dimensions are in inches

### Mechanical Dimensions



### Ordering Information

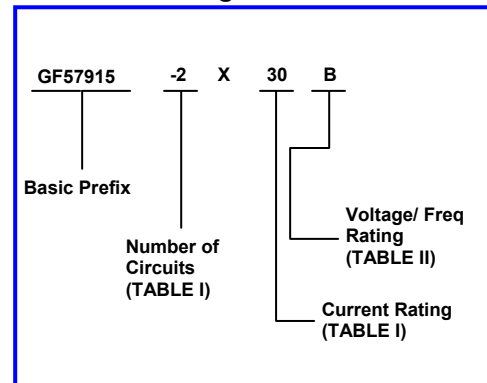


TABLE II

### Voltage Rating

- B 120/208 Vac, 60Hz
- \*C 120/208 Vac, 400Hz
- D 277/480 Vac, 60Hz

(\* ) - Recommend Power Correction Coils

Specifications subject to change without notice