

# BM-04

## Wide Band Communications Antenna

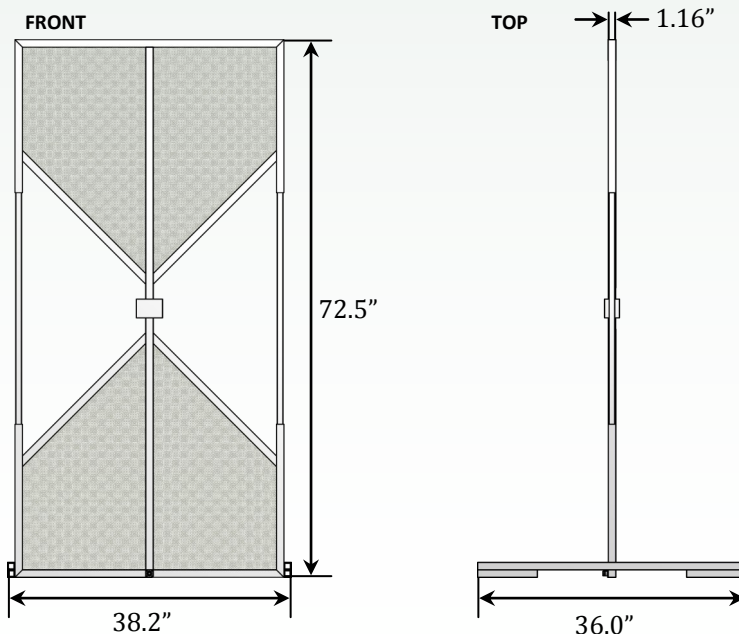
The BM-04 is a very wide band, electrically small biconical antenna designed to allow coverage of the VHF/FM communications band (30-88 MHz) without the need for tuning systems. The very-wide bandwidth will also transmit fast rise pulses with high fidelity for HPM operations. This rugged antenna is portable, easily shipped/stored and can be set up within minutes. A high-power model is also available with a frequency range of 25 to 1000 MHz and increased power handling to 1000 watts. A guy wire kit may be included for outdoor operation in windy environments.



### FEATURES

- Low frequency communications antenna
- Slim, lightweight design
- Durable construction
- Omni-directional coverage
- Quick and easy to setup
- Ideal for outdoor applications
- Guy kit available for windy environments
- 1000 MHz, 1000 W model available
- All TMC Design antennas are designed and manufactured under with the auspices of our AS9100/ISO9000-certified quality management program

### SPECIFICATIONS



<b>Type</b>	Biconical Monopole
<b>Frequency Range</b>	30 to 500 MHz
<b>Gain</b>	4 dB @ $f_0$
<b>Polarization</b>	Linear (Vertical)
<b>HPBW</b>	360° x 85° @ $f_0$
<b>Maximum Power</b>	100 Watts, CW
<b>Maximum VSWR</b>	3.5:1
<b>Connector</b>	Type-N, female
<b>Height</b>	72.5"
<b>Width</b>	38.2"
<b>Length</b>	36.0"
<b>Weight</b>	28.6 lbs
<b>Temperature</b>	-20° to +150° F
<b>Wind</b>	45 MPH w guy wire kit



BICONICAL MONOPOLE



OMNI-DIRECTIONAL



30 TO 500 MHz



LINEAR

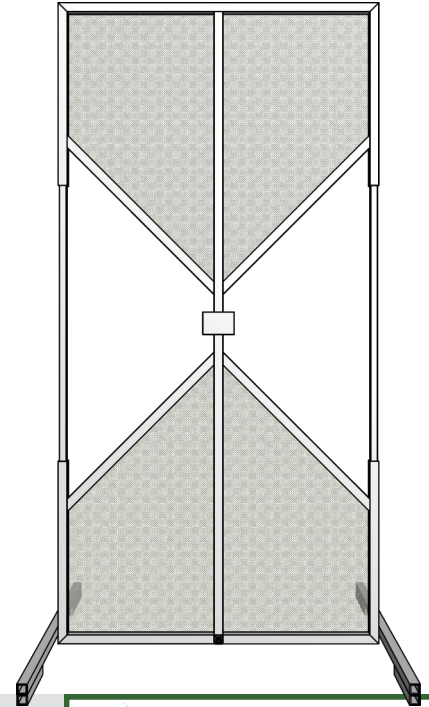
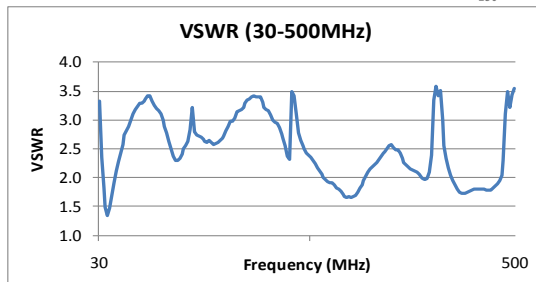
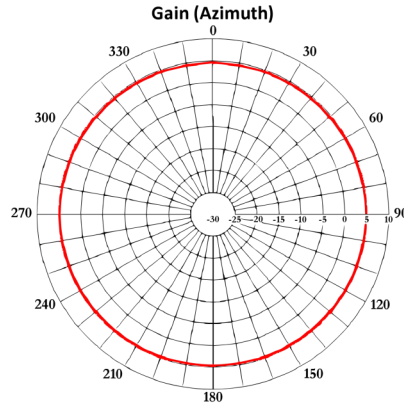
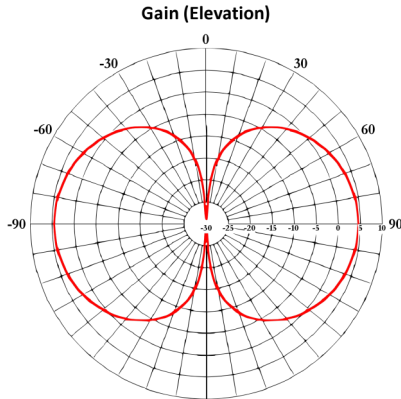


TMC Design Corporation

# BM-04

# Wide Band Communications Antenna

## PERFORMANCE



## CUSTOMIZE YOUR ANTENNA

### HIGH-POWER OPTIONS

To increase range and improve reception, most TMC Design antennas can be modified operate in high-power applications.

### COLOR OPTIONS



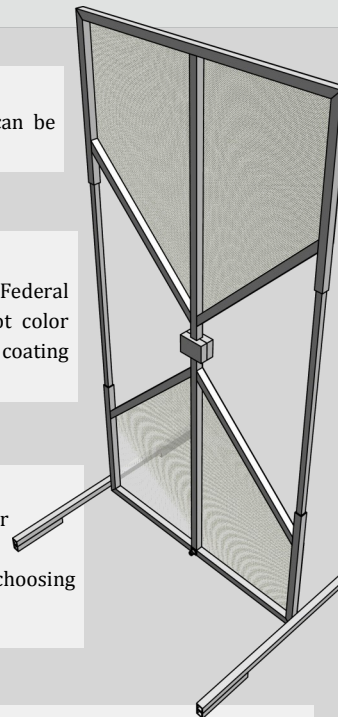
A variety of paint options are available to fulfill your coating requirements. Federal Standard 595B colors, Chemical Agent Resistant Coating (CARC) or spot color schemes are available. Contact a TMC Design representative to specify coating options (*most popular colors shown above*).

### MOUNTING OPTIONS

Antennas can be modified to be mounted in the manner that best fits your requirements. This antenna may be supplied with a guy wire kit for outdoor environments. Contact a TMC Design representative for assistance in choosing the best option for your requirement.

### RF MATING OPTIONS

All TMC Design antennas can be modified to include an RF connector that best fits your application. Be sure to specify the connector that is needed or ask one of our representatives for assistance in finding an RF mating solution that will best fit your requirements.



### TMC Design Headquarters

4325 Del Rey Blvd.  
Las Cruces, NM 88012  
(tel) 575-382-4600  
(fax) 575-523-8588

### TMC Design Space Operations Center

7765 Electronic Drive  
Colorado Springs, CO 80922  
(tel) 719-622-0130  
(fax) 719-622-0134

### TMC Design Space Planning & Tactics

5030 Bradford Drive  
Building 1, Suite 230  
Huntsville, AL 35805  
(tel) 256-830-4055  
(fax) 256-830-4066

[www.tmcdesign.com](http://www.tmcdesign.com)

[tmc@tmcdesign.com](mailto:tmc@tmcdesign.com)



**AS9100B**  
**KEMA CERTIFIED**

Accredited by  
ANAB



**ISO9001:2008**  
**KEMA CERTIFIED**

Accredited by  
ANAB

March 2011, Rev.3