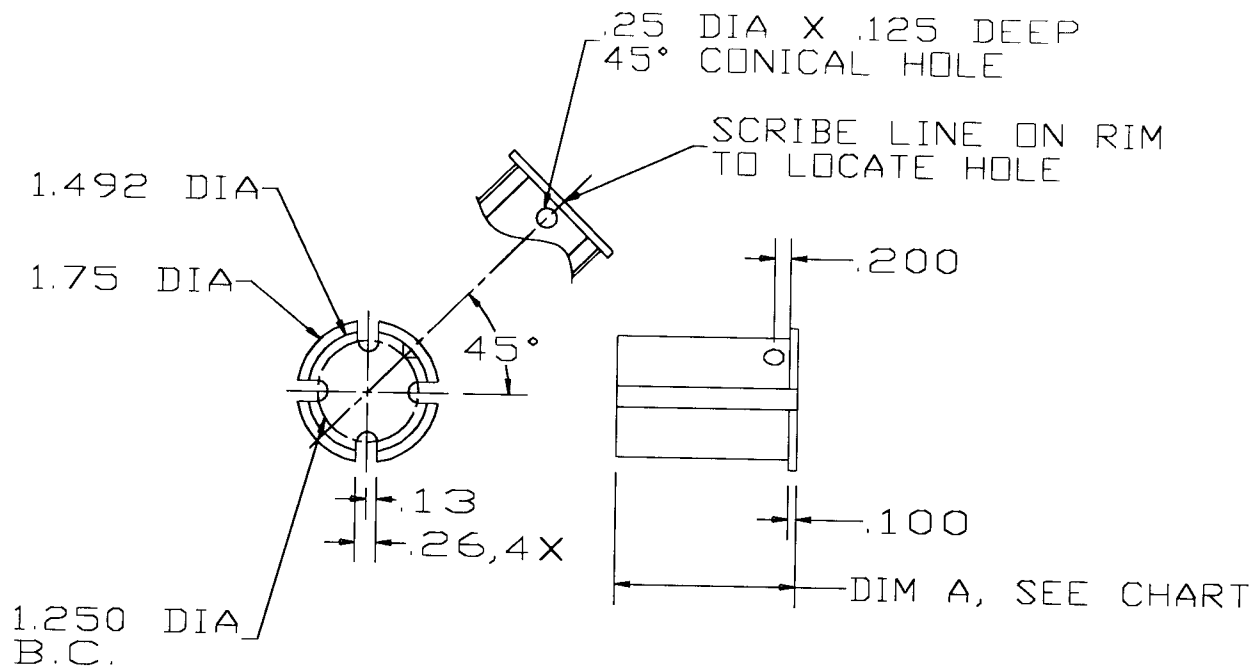
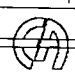


REV	DESCRIPTION	DATE	BY
-----	-------------	------	----

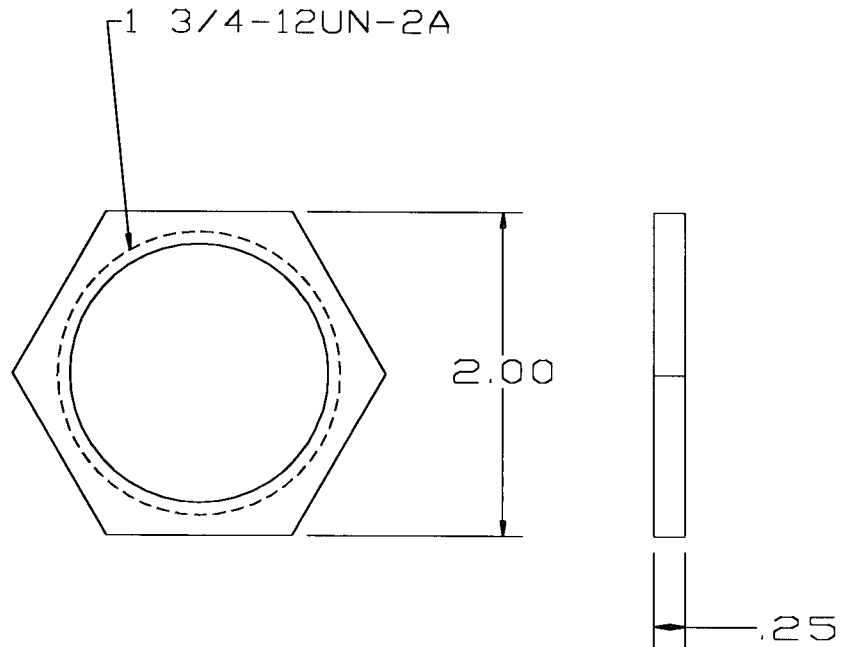


LENGTH CHART


DASH NO.	LENGTH
-01	2.750
-02	.500

QTY	PART NUMBER	DESCRIPTION	ITEM						
PARTS LIST									
 EMC Automation									
1101 CYPRESS CREEK RD CEDAR PARK, TX									
Phone: 512-258-9478									
UNLESS OTHERWISE SPECIFIED: DIMENSIONS ARE IN INCHES. REMOVE ALL BURRS AND SHARP EDGES. DIMENSIONS APPLY AFTER FINISH.		<table border="1"> <tr> <td>DRAWN DS</td> <td>DATE OCT97</td> </tr> <tr> <td>CHECKED</td> <td>DATE</td> </tr> <tr> <td>APPROVED</td> <td>DATE</td> </tr> </table>	DRAWN DS	DATE OCT97	CHECKED	DATE	APPROVED	DATE	TITLE: CENTER, FEED-THRU
DRAWN DS	DATE OCT97								
CHECKED	DATE								
APPROVED	DATE								
DO NOT SCALE DRAWING	MATERIAL: BRASS	TOLERANCES EXCEPT AS NOTED ANGLES .001 X ± .05 .XX ± .02 XXX ± .010	<table border="1"> <tr> <td>SIZE</td> <td>DWG NO.</td> <td>REV</td> </tr> <tr> <td>B</td> <td>11970006-1 -2</td> <td>-</td> </tr> </table>	SIZE	DWG NO.	REV	B	11970006-1 -2	-
SIZE	DWG NO.	REV							
B	11970006-1 -2	-							
FINISH: NONE		SCALE NONE	SHEET 1 OF 1						

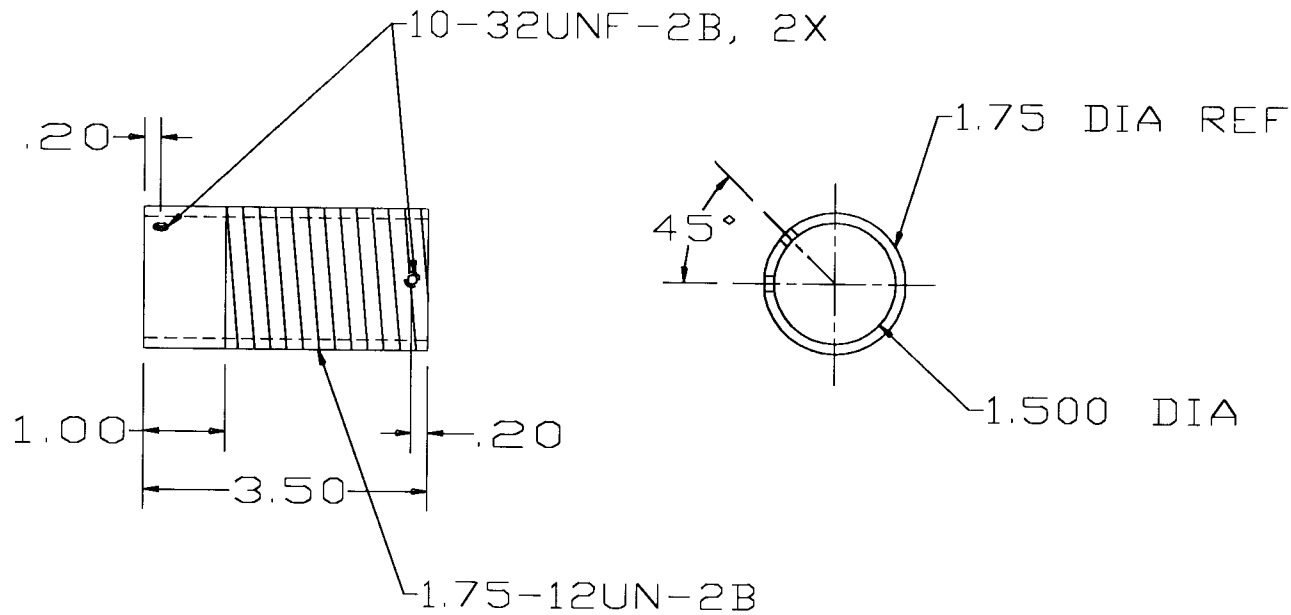
REV	DESCRIPTION	DATE	BY
-----	-------------	------	----




NOTE:
TAP DRILL FOR 1-3/4-12 IS 1.675 DIA (FOR REF ONLY).

QTY	PART NUMBER	DESCRIPTION	ITEM
PARTS LIST			
UNLESS OTHERWISE SPECIFIED: DIMENSIONS ARE IN INCHES. REMOVE ALL BURRS AND SHARP EDGES. DIMENSIONS APPLY AFTER FINISH.		 EMC Automation 1101 CYPRESS CREEK RD CEDAR PARK, TX	
		Phone: 512-258-9478	
DO NOT SCALE DRAWING		DRAWN DS	DATE OCT97
MATERIAL: BRASS		CHECKED	DATE
FINISH: NONE		APPROVED	DATE
		TOLERANCES EXCEPT AS NOTED ANGLES .X ±.05 .XX ±.02 .XXX ±.010	
		SIZE B	DWG NO. 11970007
		SCALE NONE	REV -
		SHEET 1 OF 1	

REV	DESCRIPTION	DATE	BY
-----	-------------	------	----



QTY	PART NUMBER	DESCRIPTION	ITEM
PARTS LIST			
UNLESS OTHERWISE SPECIFIED: DIMENSIONS ARE IN INCHES. REMOVE ALL BURRS AND SHARP EDGES. DIMENSIONS APPLY AFTER FINISH.		 EMC Automation 1101 CYPRESS CREEK RD CEDAR PARK, TX Phone: 512-258-9478	
DO NOT SCALE DRAWING	DRAWN DS CHECKED APPROVED	DATE OCT97 DATE DATE	TITLE: FEED-THRU FIBEROPTIC
MATERIAL: BRASS	TOLERANCES EXCEPT AS NOTED ANGLES .001" .X ±.05 .XX ±.02 .XXX ±.010		SIZE B DWG NO. 11970005 REV —
FINISH: NONE	SCALE NONE		SHEET 1 OF 1